

Hardware

+ Components Fastener

World News 五金零組件全球新聞

compiled by Fastener World

- Association -

New Vice President, Honorary Treasurer and Board Members at HAI

愛爾蘭五金協會迎接新副主席



Paul Candon (United Hardware CEO) has been announced as Vice President of Hardware Association Ireland (HAI). Senan Foley (Glanbia) is the new Honorary Treasurer. At a recent board meeting in Galway of Hardware Association Ireland, President Michael O'Donohoe thanked the board on behalf of outgoing directors Dave Gavin, Mark Lohan, and Sean Moran for all their dedication and contribution to the board of HAI over many years.

Three new directors, each of whom are well known in the sector, were also appointed – Senan Foley (Glanbia), Eddie Kelly (Brooks/Murdocks), and John Peare (DPL). HAI would like to congratulate and thank the new incumbents for coming on board and wishes them well.

- Industry Development -

Japan EV Sales Hit Historic High in H1 2022

日本2022年上半年電動車銷量翻倍、歷史新高

After Nissan and other carmakers rolled out new EV models and the Japanese government raised subsidies for car purchase, EV sales in Japan grew a fold to a historic high in the first 6 months of 2022. Nissan marked a market share of 60% and its sales far exceeded that of Tesla.



According to the statistics released by JADA and JMVA, the EV sales in Japan in the first 6 months of 2022 skyrocketed 110% to 17,771 vehicles. This is a new record higher than 15,006 vehicles recorded in 2018.

The Japanese government plans to ban sales of fuel engine vehicles including passenger cars by 2035 and switch to EV, HV, PHV and FCV for all new car sales.

Ukraine Crisis Takes a Heavy Toll on Japanese Small & Medium Fastener Companies

烏克蘭危機讓日本中小型扣件業者付出沉重代價

Kinsan Fastener News (Japan) reports, the Russia-Ukraine is creating a new economic risk that is pressing against the fastener industry in Japan. The increased prices of materials are reflected in selling prices, but the Japanese fastener companies still find themselves unable to keep up with the frequent material price change. More and more companies as such find themselves shying away from buyers who don't accept the cost pass-through.

It also becomes problematic that the prices raised on sub-materials are yet to be reflected in product prices. As petroleum price goes up and triggers a higher electricity and utilities cost, it also pushes up the costs for electroplating, heat treatment, oil, packaging materials and tools. In some cases, it costs an extra JPY 20 per kilogram of electroplating. The Japanese fastener makers have been covering the costs of sub-materials because it is their convention not to reflect such costs in product prices, but they are faced with the fact that sub-material price hike is a harsher problem to tackle compared to increased prices of materials. Some of them have ended up closing their business. To the Japanese fastener makers, how they could quickly reflect increased costs in product prices is a crucial factor that hugely impacts their business.



Global Hardware Parts Purchase Center Under Construction in Dali (China)

大瀝鎮五金全球採購中心建設正式啟動

Dali Town (Guangdong China) launched construction of the Global Hardware Parts Purchase Center on June 27. This Center will span an area of 55 thousand square meters with a total investment of RMB 1 billion. It is set to be a supply chain finance service and management center for commerce, trade and exhibition. The construction started in July 2022 and comprises 3 phases. The first phase will be completed within 3 years and all phases will be finished in 6 years. There will be a supply chain management center and a logistics dispatch center attracting high-end logistics talents.



BNEF: 77 Million EVs on the Road by 2025

彭博新能源財經：2025年將有7700萬輛電動車路上跑

Bloomberg

NEW ENERGY FINANCE

Bloomberg New Energy Finance (BNEF) released the latest Electric Vehicle Outlook that states electric passenger cars sales will grow rapidly in the coming years, from 6.6 million vehicles in 2021 to 21 million in 2025. The fleet of EVs on the road hits 77 million by 2025 and 229 million by 2030, up from 16 million EVs on the road at the end of 2021.

According to BNEF, developed countries and multilateral institutions should include electric vehicle investments, incentives and charging infrastructure deployments in their international climate finance plans, making capital available to emerging economies that have credible plans to develop this sector.

The fleet of passenger electric vehicles is set to hit 469 million in 2035 in the Economic Transition Scenario but needs to jump to 612 million by the same date in the Net Zero Scenario. Much of the gap will have to be met in emerging economies, while wealthy countries should look at ways to support the transition in those markets and avoid a global slowdown of adoption.

EU Agrees to Ban Fossil Fuel Vehicle Sales by 2035

歐盟批准 2035年起禁售
燃油車



EU announced on June 29 that it has approved a full-range ban of new fossil fuel vehicle sales by 2035 on the European continent.

This is aimed at pulling carbon emission down to zero. The proposition was brought to the table in July 2021, and the final determination hints at a total cease of fossil fuel vehicle sales and EU's full transition into EVs starting from 2035.

The purpose of this determination is to facilitate the climate target for Europe, which particularly is to reach carbon neutrality by 2050. At the request of countries including Germany and Italy, the 27 EU nations agreed to consider giving the green light to the use of alternative technologies such as plug-in hybrids if they can achieve the complete elimination of greenhouse gas emissions.

Environment ministers meeting in Luxembourg also approved a five-year extension of the exemption from CO₂ obligations granted to so-called "niche" manufacturers, or those producing fewer than 10,000 vehicles per year, until the end of 2035. The clause, sometimes referred to as the "Ferrari amendment", will benefit luxury brands in particular.

"This is a big challenge for our automotive industry," acknowledged French Minister of Ecological Transition Agnes Pannier-Runacher, who chaired the meeting. But she said it was a "necessity" in the face of competition from China and the United States, which have bet heavily on electric vehicles seen as the future of the industry.

China Continues Anti-dumping Duties on EU/UK Carbon Steel Fasteners Starting June 29

中國對歐盟與英國碳鋼扣件續徵5年反傾銷稅

The Ministry of Commerce of China announced to continue anti-dumping duties for 5 years on partial carbon steel fasteners originated from EU and UK, starting June 29, 2022. The Ministry claimed that if it ceased this anti-dumping measure, the dumping of carbon steel fasteners from EU and UK to China as well as the injury made to the Chinese carbon steel fastener industry would continue or happen again.

June 28, 2010, the Ministry decided to impose anti-dumping duties (rates from 6.1% to 26.0%) on carbon steel fasteners originated from EU. June 28, 2016, the Ministry decided to continue the anti-dumping duties for 5 years starting June 29, 2016.

The carbon steel fasteners subject to the duties include wood screws, self-tapping screws, screws and bolts with or without nuts or washers (excluding rail screws as well as screws and bolts with a diameter under 6mm), and washers. The scope of the investigation did not include nuts and fasteners used for the maintenance and repair of civil aircraft.



U.S. Terminates Anti-dumping Duties on Helical Spring Lock Washers



美國終止螺旋彈簧鎖緊墊圈反傾銷措施

The U.S. Department of Commerce revoked the AD orders on helical spring lock washers from China and Taiwan because no domestic interested party filed an application.

June 28, 1993, Commerce issued an AD order on helical spring lock washers from Taiwan. October 19, 1993, Commerce issued an AD order on helical spring lock washers from China. The U.S. initiated 4 sunset reviews respectively on February 23, 2001, July 3, 2006, December 5, 2011, and May 26, 2017, each prolonging the duty expiration date. April 1, 2022, Commerce initiated the 5th sunset review investigation on helical spring lock washers from China and Taiwan.

- Companies Development -

Tata Makes the Most of Frugal Innovation to Top Indian EV Market

塔塔集團發揮節儉式創新，制霸印度電動車市場

Frugal innovation is the prevalent culture in India. The Indian press reported a local man revamping his car into a helicopter and renting it for weddings. The Indian Tata Group follows suit. Turning away from pouring loads of money into EV development like the American and European carmakers do, Tata manufactures affordable Nexon EVs at the lowest cost and succeeds in becoming the king of Indian EVs.

At first Tata didn't have the latest automated production line, and production had to rely mostly on human workforce, so Tata was only able to manufacture 8 EVs a day. But when Nexon swept the local market after its rollout, the spike in demand had Tata increase workforce at adjacent plants. Up to this May, Tata's daily capacity has breached 100 vehicles.

Like turning a car into a helicopter in the most frugal ways possible, Tata did whatever it could to spend the least budget to morph its existing models into EVs and install them with cheaper battery units. That's how it succeeded in releasing an affordable EV for the Indians. It gave up on investing billions of US dollars in EV production lines—the way that American and European carmakers would do. The frugal and innovative Tata draws a clear line that differentiates itself from market counterparts. Tata is well aware that a cheaper



EV is the clear path to take to make a USD 19 thousand EV that is affordable for the local middle class. Tata's success is also attributed to the Indian government providing subsidies and imposing a high tax on imported EVs.



Lamons Celebrates 75 Years in Manufacturing

美國Lamons歡慶75周年

Lamons® Manufacturing and Service Company, a global leader in safety sealing and attachment solutions, is pleased to announce it is commemorating its 75th anniversary in 2022.

Founded in 1947 by W.A. Lamons, the company began providing quality gaskets to the oil and gas and petrochemical industries. It acquired Richard Gasket Company in 1985 and Packing & Gasket Engineering (PAGE) in 1988. Lamons then purchased Industrial Bolt and Gasket in Beaumont, Texas in 1997. In 2010, Lamons acquired South Texas Bolt and Fitting, which catapulted the company into being one of the most capable specialty fastener manufacturers in the world. IsoTek was purchased in 2012 and added isolation gaskets, sleeves, and washers to the product



portfolio. With the addition of hoses in 2016, Lamons fulfilled its vision of leading global markets in safety sealing and attachment solutions. In 2019, Lamons became part of the First Reserve family, a leading global private equity investment firm exclusively focused on energy.

“We are extremely proud to reach this milestone – 75 years of innovation in safety sealing and attachment solutions,” said Marc A. Roberts, CEO of Lamons. “Creating a world-class engineering team, investing in long-standing relationships, and never losing sight of the possibilities that tomorrow would bring are the significant reasons we are standing here today.”



Altenloh, Brinck & Co. Opens New Training Center in Ohio

Altenloh, Brinck & Co.開設新俄亥俄州訓練中心

Altenloh, Brinck & Co. (ABC) manufacturing and distributing various engineered fasteners (including under the SPAX brand for the construction market) has recently celebrated the official opening of its new Ohio, U.S.-based training center.

Around 14 miles away from the company’s U.S. HQ, the new training facility based in Ohio provides ABC with a dedicated space for important training needs. In 2021 ABC also built a 64,000-square-foot facility in Pioneer, Ohio, which houses all of the company’s fastener packaging operations. ABC has been operating as a family business in Ennepetal, Germany, since its founding in 1823. It now manages companies in Germany, Europe, the U.S. and Australia.

Vossloh to Supply Rail Fastening Systems for High-Speed Line in Egypt

德國Vossloh將供應埃及高鐵緊固系統

Vossloh, one of the world’s leading providers of products and services related to rail infrastructure, has secured an economically and strategically important contract to deliver rail fastening systems for a new high-speed line in northern Egypt. As commissioned by the end customer, state-owned company National Authority for Tunnels (NAT), the coastal city of El Alamein will be connected to the city of Ain Sokhna, which is located on the Suez Canal. A high-speed line is also planned between El Alamein and Mersa Matruh, which means that the planned double track line will be approximately 660 kilometers long.

Delivery of the rail fastening systems by Vossloh is scheduled to begin already this year, with completion of the project expected in the course of 2024. The order, with a volume exceeding €40 million, will be carried out by subsidiary Vossloh Fastening Systems GmbH, which is headquartered in Werdohl.



SHI GANG ENTERPRISE CO., LTD.

4F., No.13, Dingjinhou Rd., Sanmin Dist.,
Kaohsiung City 807, Taiwan

Tel: 886-7-372 0570 Fax:886-7-374 1074

E-mail: peng.kang@seed.net.tw

www.fastener-world.com/en/supplier/shigang www.pengkang.com.tw



**Original
Equipment
Manufacturer**

We are the **OEM** and a quality brand with the specialty and experience to offer clients all-inclusive service and various processing service.





substantial contribution to this landmark project in this region,” says Jan Furnivall, Executive Board member of Vossloh AG, adding: “Our extensive experience with the equipment of high-speed lines will allow us to create significant value for our customers.”

Egypt plans additional massive investments in its rail network over the next few years, including in particular the establishment of a high-speed network which is to be expanded to over 1,800 km in the future. “The new rail line will be designed for speeds of up to 250 km/h. It will shorten the travel times of millions of people by up to 50 percent while producing more than 70 percent fewer carbon emissions than road traffic. We are delighted to be able to make a



German Henkel Launches Loctite DRI 2250-W

德國五金大廠Henkel發表
Loctite DRI 2250-W

Loctite DRI 2250-W offers high temperature resistance of over 200°C and has excellent chemical resistance. Scott Simmons, Business Development Manager, North America, describes

how its superior high temperature resistance addresses customers’ frustrations with competing products: “Traditional products fail to maintain room temperature (RT) breakloose strength and can typically lose around 50 percent – and in some cases even more – of their strength at 150°C. By contrast, DRI 2250-W maintains RT strength beyond 150°C and in most cases can achieve this up to 200°C.”

Further advantages of Loctite DRI 2250-W include its low coefficient of friction. Tested on multiple plating surfaces, the material maintains a coefficient of friction between 0.10 – 0.16. It also shows superior performance on all plating types, including the newer zinc-flake coating, with added lubricity.

As a pre-applied film, the threadlocker is dry-to-the-touch and remains an inert coating until assembly. During assembly, microcapsules contained within the coating are crushed and release an active ingredient that initiates the anaerobic curing process. When cured, Loctite DRI 2250-W also acts as a thread sealant as well as a threadlocker. It eliminates the need to apply liquid sealants, adhesives, or any other mechanical locking or sealing device to threaded parts during manual or automatic assembly and is flow coatable for higher output speeds.

Stainless Steel Cable Ties & Hose Clamps

Hardware & Fastener Components - no.55/2022



ISO 9001 5965
Registration No. : 027600







Cheng Heng Industrial Co., Ltd.

586, Sec. 9, Xiangshang Rd., Wuqi Dist., Taichung City 435055, Taiwan
Tel : 886-4-2639-2967 Fax : 886-4-2639-2963

www.hoseclamp.com.tw

E-mail : hose.clamp@msa.hinet.net
www.fastener-world.com/en/supplier/chico



Stanley Black & Decker

Donald Allan, Jr. to Succeed James Loree as CEO of Stanley Black & Decker

Donald Allan, Jr.將接續James Loree擔任Stanley Black & Decker執行長

Stanley Black & Decker announced that its Board of Directors has named Donald Allan, Jr., currently President and Chief Financial Officer, the Company's next Chief Executive Officer, effective July 1, 2022. Mr. Allan succeeds James M. Loree, who has served as CEO since 2016. Upon assuming his new role, Mr. Allan joins the Board of Directors and retains his title as President. Also, as part of the announcement, the Company has appointed Corbin Walburger to serve as Interim Chief Financial Officer, effective July 1, 2022.

Mr. Allan is a seasoned leader and 23-year veteran of Stanley Black & Decker who has played a key role in the Company's evolution to become the world's leading tool company. During his time as President and CFO, he has focused on driving strategic, long-term profitable growth and has overseen the execution and advancement of the Company's operating model.



Stanley Black & Decker Announces Leadership Transition in Tools Business



Stanley Black & Decker 工具部門主管異動

Jaime Ramirez, Executive Vice President and President, Tools & Storage, stepped down from his role to pursue opportunities outside of the Company, effective July 22, 2022. Robert Raff, a 20-year Stanley Black & Decker veteran and currently Head of Stanley Outdoor Integration, will be appointed Acting Executive Vice President and President, Tools. Mr. Raff will work closely with Donald Allan, President and CEO of Stanley Black & Decker, to help drive execution of the Company's strategy focused on the growth of its core businesses.

Robert Raff served as Head of Stanley Outdoor Integration, a role he has held since August 2021. Over the past 20 years, Mr. Raff has served in various leadership roles across Stanley Black & Decker including President, Stanley Security; President, Convergent Security Solutions; President, North America Commercial Global Tools & Storage; President, Hardware and other roles.

The Company has retained Heidrick & Struggles to conduct an internal and external search for a permanent successor to Mr. Ramirez.



東佑典實業股份有限公司(三芳)

TAIWAN NYLON WASHER CO., LTD.

台南市政安路19號 (和順工業區)
 1F, NO.19, CHENG AN RD., AN NAN DIST., TAINAN, TAIWAN
 TEL: 886-6-355 6607 886-6-251 9718 FAX: 886-6-355 7778
 E-mail: twnylon.washer@msa.hinet.net
<http://taiwannylonwasher.com.tw>
<http://www.fastener-world.com/en/supplier/twnylon>





Main Products

- Nylon Washer
- Plastic Nut
- Flat Washer
- Rubber O-Ring
- Cap Nut
- Various Plastic Products
- Plastic Screw

主要產品

- 尼龍華司
- 塑膠螺帽
- 墊圈、戴帽
- 橡膠O型環
- 塑膠螺絲
- 各類塑膠橡膠製品

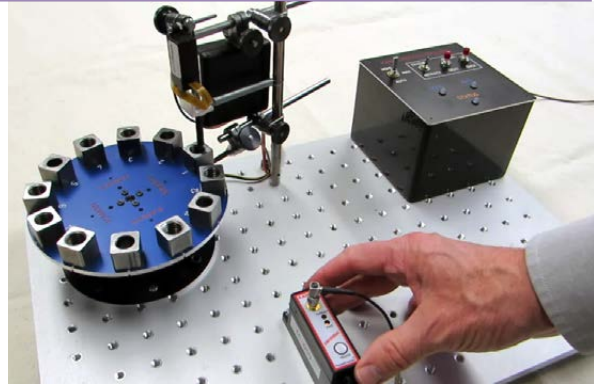


Kaman Precision Products Provides Non-Contact ThreadChecker

美國Kaman Precision Products提供非接觸式螺紋檢測工具

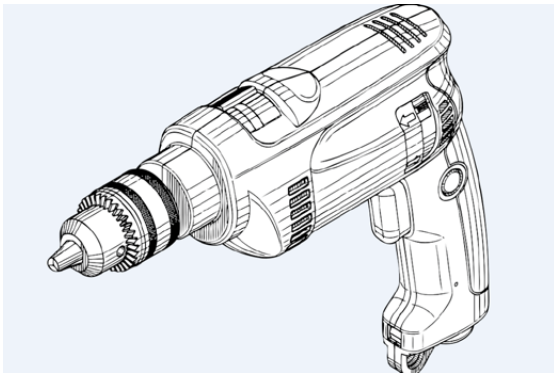
The ThreadChecker by Kaman Precision Products is a teachable eddy current inspection tool, widely used for thread detection, plating presence, and absence of heat treatment, as examples. Any physical property difference that relates to material conductivity is readily detected. The ThreadChecker is ideal for use in any automated inspection process in manufacturing.

Consisting of a single electronics module compatible with any probe/material combination, the ThreadChecker can check threads regardless of part cleanliness, reducing the cost of implementation. It features five internal probes, ranging from 2 to 10 millimeters (mm) and two external probes, 6 mm and 8 mm. Available with a rail mounting option, ThreadChecker is CE-compliant and features IP-67 rated probes and electronics.



Global Electric Tool Market Scale to Reach USD 43.2 Billion in 5 Years

全球電動工具市場規模將在五年內達432億美金



Astute Analytica, an analysis company, predicts the global electric tool market scale will reach USD 43.2 billion by 2017 at an annual growth rate of 5.2%. One of the primary contributors is the fact that the global construction industry is increasing use of cordless electric tools and wrenches.

The electric tool market can be mainly broken down into North America, Asia Pacific, the Middle East, Africa and South Africa. North America has increased industrial development and infrastructure; and therefore, shares 31% of the global market share as the world's largest market. Asia Pacific has the fastest growth speed at 6.8% driven by rapid automotive industrial development, and within this region, the fastest growers are China and India.

Klein Tools® Launches Multi-Bit Drivers with 26 Precision Tips Stored in Handle

Klein Tools®發表單支

多起子頭螺絲起子



Klein Tools, for professionals since 1857, introduces the 27-in-1 Precision Multi-Bit Screwdrivers, which house all the bits you need for everyday precision driving, plus an integrated 3.5 mm nut driver.

“Saving space in your tool bag is a main priority for trade professionals given how many different tools are often required for any particular job,” says Austin Minor, group product manager at Klein Tools. “The new 27-in-1 Multi-Bit Precision Drivers feature powerful magnets, a stainless-steel barrel, and 27 different driver tips. The tools save space and eliminate the need for carrying cases. Plus, the driver is available in two different models depending on your application needs.”

- Mergers & Acquisitions -

Adept Fasteners Announces Acquisition of Innovative Tooling Services



Adept Fasteners公司宣布收購Innovation工具服務公司

Adept Fasteners, a privately owned distributor of aerospace fasteners, announces the acquisition of Innovative Tooling Services to strengthen Adept's position in the market as a leader in aerospace fastener solutions. Innovative Tooling Services, founded in 1986, provides the aerospace industry with tools and tool repair.

“Together, we can transform the way we support our customers' fasteners requirements by offering tooling solutions for fastener removal and installation across all fastener product types,” said Gary Young, President of Adept Fasteners.

“We're excited to be a part of the Adept Fasteners team,” said Mark Wylie, President of Innovative Tooling Services. “This new relationship represents an excellent strategic fit that enhances the value we deliver to our customers.”

Innovative Tooling Services will continue to serve customers from their office and repair center in Grand Prairie, Texas.



Store Room Fasteners Acquired by Endries International

Store Room Fasteners被Endries International收購

Wisconsin, U.S.-based Endries International announced that it has acquired Store Room Fasteners, which is based in Alabama. Financial terms were not disclosed. Since it was founded by Tim Wilsford in 1984, Store Room has emphasized meeting the needs of OEMs and industrial businesses for almost 4 decades. Currently, Store Room has facilities in Montgomery, Opelika, and Selma, as well as sites in Lagrange (Georgia) and Nuevo Laredo (Mexico).

After the acquisition, Store Room will continue to operate on its current ERP system as Store Room Fasteners, an Endries International Company. Tim Wilsford will also remain with the company in a leadership position over the 60 dedicated associates. “Tim has built an organization that mirrors what Endries was and is. We look forward to working with our new team members to improve our overall marketing offerings, said Endries President Steve Endries.



SFS Completes Transaction with Hoffmann SFS完成併購Hoffmann

The transaction between the SFS Group and Hoffmann SE that was announced on December 22, 2021 was completed on May 11, 2022, meaning that Hoffmann has now been officially incorporated into the SFS organization. This joining of forces marks a milestone and the companies’ complementary positioning opens up attractive development opportunities for both.

With all the formal conditions having been met, the transaction between SFS and Hoffmann was completed on May 11. One of the key legal requirements that had to be met in order to complete the transaction was the approval of the competition authorities in five different countries – this has now been granted.

PrimeSource Acquires Axxis PrimeSource併購Axxis

PrimeSource Brands (“PrimeSource” or the “Company”), a North American provider of specialty branded residential building products backed by Clearlake Capital Group, L.P. (“Clearlake”), announced that it has acquired Axxis, LLC (“Axxis”), a provider of fastening tools and collated fasteners. The transaction is PrimeSource’s fourth acquisition during Clearlake’s ownership. Financial terms were not disclosed.

Axxis, which goes to market under the Complete and KlinchPak brands, primarily serves STAFDA distribution and packaging houses. The combination with Axxis further enhances PrimeSource’s portfolio of branded fasteners and related fastening tools. Carl Schneider, CEO of Axxis, will remain involved as part of the PrimeSource team focused on accelerating Axxis’ growth.

SHANGHAI SCREWTOOL INDUSTRIAL CO., LTD

www.shscrewtool.com

TRILOBE SCREW

- DIN7500
- Taptite Alternative
- Plastite Alternative
- Trilobe sems screw

STAINLESS STEEL FASTENER

- set screw
- 304/410/316/- bi-metal self-drilling screw
- deck screw
- DIN series (DIN 7981 /7982/933/934 /912 etc,no MOQ)

MICRO SCREW

KITTING

CUSTOM SCREW

- PT screw
- nylok screw
- sems screw
- grinding screw
- floorboard screw

Your Reliable Fastener Sourcing Partner In China

*PPAP AVAILABLE.

Office: No. 255, Lane 658 Guang-Fu Lin Road, Song Jiang, Shanghai, China
 Factory: No.1, Guan-He Road, Haitou Town, Lianyangang, China
 email: info@shscrewtool.com

