

# KAY·TAI



## KAY-TAI FASTENERS INDUSTRIAL CO., LTD.

Head Office: No. 100, Gangshan 1st St., Alian Dist.,  
Kaohsiung City 822005, Taiwan (R.O.C.)

E-mail: keti.jo12772656@gmail.com

<https://www.fastener-world.com/en/supplier/kay-tai>

 886-7-631 7999

 886-7-631 0568



# KAY·TAI

## ABOUT US



FASTENERS INDUSTRIAL CO., LTD.

**KAY-TAI** Fasteners Industrial Co., Ltd has begun operation for 20 years and its wealth of experience in manufacturing and excellent quality have both won the recognition of customers from at home and abroad.

Being originally a professional manufacturer of KD fittings, Kay-Tai has nowadays evolved into a supplier of various screws and hardware accessories for the furniture industry. With a complete range of products and a variety of materials for selection, Kay-Tai can definitely satisfy your needs.

Keeping making improvement, Kay-Tai also welcomes your advice and hopes to provide service to you anytime soon.

**Welcome to contact us for more information.**  
We assure you of our best attention and service at all times.



Boyce Lo  
President

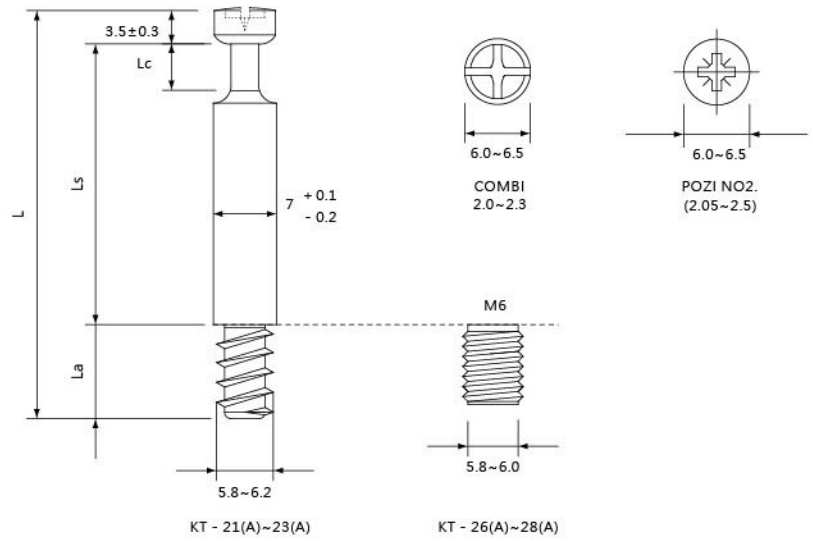
# INDEX

---

3	KD Fittings	
6	Zinc Alloy Cams	
7	Wrench	
7	Wooden Dowel	
7	Cover Cap	
8	Nuts	
9	Shelf Supports	
10	Sleeve Nuts	
12	Screws	
14	Bits	
14	Bit Holders	

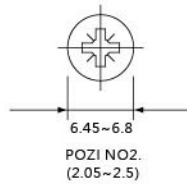
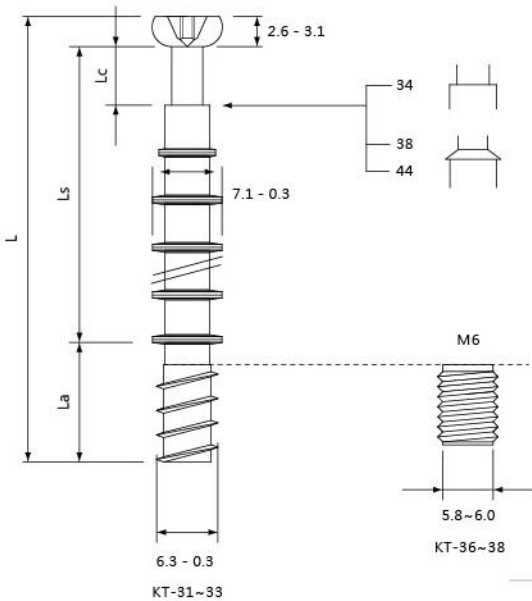
---

# KD Fittings



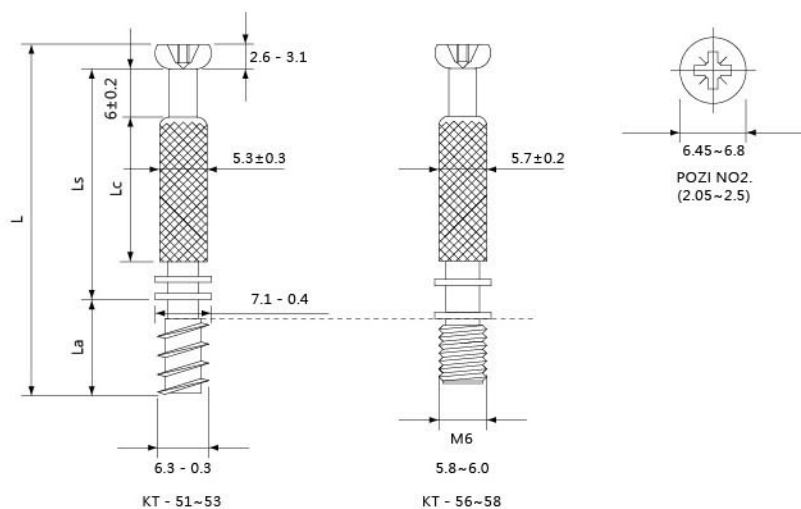
## KT2 BOLT

ITEM NO		KT-21A	KT-22A	KT-23A	KT-26A	KT-27A	KT-28A
		KT-21	KT-22	KT-23	KT-26	KT-27	KT-28
L		35	39	45	32	36	41
Ls	±0.2	20.5	24.5	30.5	20.5	24.5	30.5
La	+0.1 -0.5	11	11	11	8	8	8
Lc	±0.2	6.5	6.5	6.5	6.5	6.5	6.5



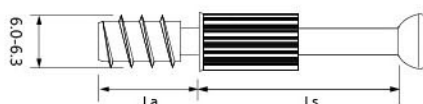
ITEM NO		KT-31	KT-32	KT-33	KT-36	KT-37	KT-38
L		34	38	44	31	35	41
Ls	±0.4	20.3	24.3	30.3	20.3	24.3	30.3
La	-0.5	11	11	11	8	8	8
Lc	±0.2	6	6	6	6	6	6

## KT3 BOLT



ITEM NO		KT-51	KT-52	KT-53	KT-56	KT-57	KT-58
L		34	38	44	31	35	41
Ls	±0.4	20.3	24.3	30.3	20.3	24.3	30.3
La	-0.5	11	11	11	8	8	8
Lc	±0.5	8	12	18	8	12	18

## KT5 BOLT

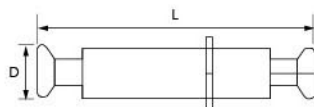


ITEM NO	KT-881	KT-882	KT-883
Ls	20.3	24.3	30.3
La	10.5	10.5	10.5
Plastic Tube	12.7	12.7	12.7/17

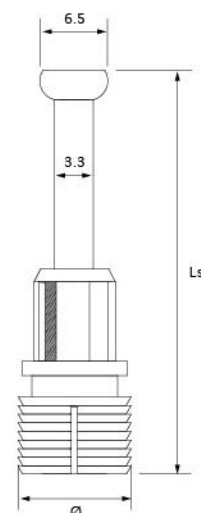


## Double end Bolt (with ring)

ITEM NO	KT-70
D	6.4
L	64



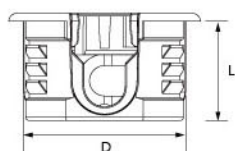
# KD Fittings



## Quick Assembly Dowel

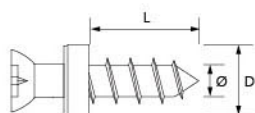
ITEM NO	KT-886M8	KT-886M10	KT-888M8	KT-888M10
Ls	24	24	34	34
Plastic parts Ø	M8	M10	M8	M10

## Eccentric K.D Fitting

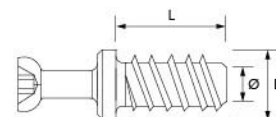


White/Brown

ITEM NO	D	L
KT-61	20	12.5



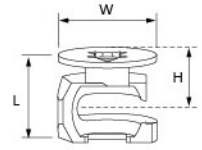
ITEM NO	Ø	D	L
KT-663	3	6.8	10
KT-662A12	3	6.8	12
KT-664	3	6.8	15



ITEM NO	Ø	D	L
KT-616	5	7	11
KT-626	5	7	8

# Zinc Alloy Cams

KAY·TAI

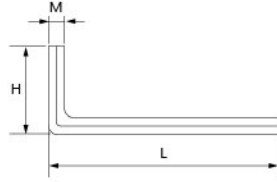


ITEM NO	W	L	H	Drive Type	
KT-01A	15	12	7.5		
KT-01B	15	12	7.5		
KT-01	15	12	7.5		
KT-02	15	12.5	8		
KT-03	15	13.5	9		
KT-04	15	14	9.5		
GI-10	12	10.5	6.5		
GI-20	15	12	7.7		
GI-30	15	13.5	9.3		
GI-18	15	19	14.5		



# Assembly Tools & Parts

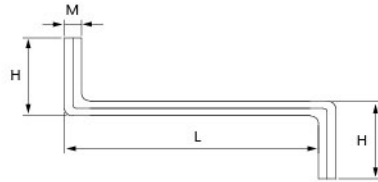
## L type Wrench/ DIN 911



M	L	H
1.5-10	43-112	13-40

## Z type Wrench

M	L	H
2-8	40-50	17-22

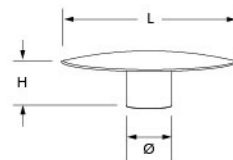


## Wooden Dowels



H	L (mm)
M5/M6/M8/M10	25-100

## Cover Cap



● A ● B ● C ● D ● E ● F  
 When inquiry please specify the color.

Application	Ø	L	H
Screw Cover Cap	2.4-3	11.8-12.8	6.5-8
Cam Cover Cap	4.2	17	4.3

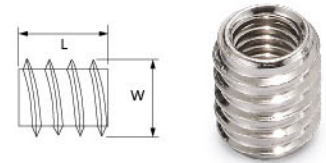
## E Nut



Zinc Alloy

Metric	Inch	L
M4	5/32"	8/10
M5	3/16"	13
M6	1/4"	10/13/15/20/25
M8	5/16"	13/20/25
M10	3/8"	20/25

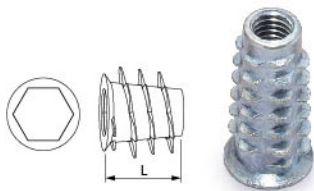
## Insert Nut



Steel

Metric	Inch	W	L
M4	5/32"	8.2	9
M5	3/16"	8.2	9/12/15
		9	15
		9.3	10
M6	1/4"	10.3	8/10/12/15/17/18/20/25
M8	5/16"	12.6	12/14/17/20/25/30/32
M10	3/8"	14.2	15/18/20/25/30

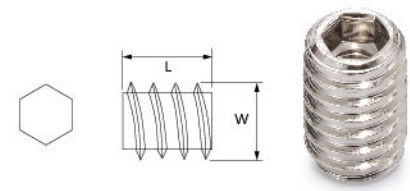
## D Nut



Zinc Alloy

Metric	Inch	L
M4	5/32"	11
M5	3/16"	9 / 13 / 20
M6	1/4"	8/10/12/13/15/20/25
M8	5/16"	13/18/20/25
M10	3/8"	20/25

## Insert Nut/Hex



Steel

Metric	Inch	W	L
M6	1/4"	9	9/12/15
		10.5	20
		12	18/20
M8	5/16"	14.5	18/20/25/30
M10	3/8"	18.6	25/30

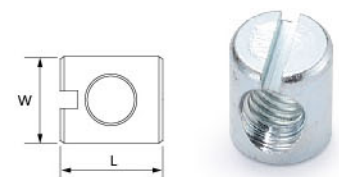
## Nylon Nuts



M6

ITEM NO	W	L
KT-10A	11	11
KT-10B	8	11

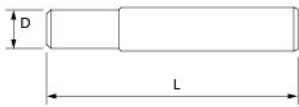
## Cross Dowel



Metric	Inch	W	L
M6	1/4"	10	14/16/20/25
M8	5/16"	12	18/20

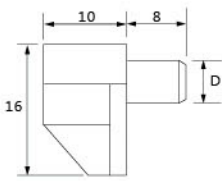
# Shelf Supports

## Steel Pin

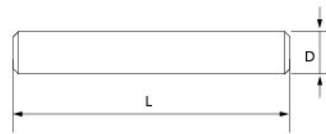


Specification	D	L
D x L	2.5-10	20-75

## Glass Shelf Support



## Steel Pin



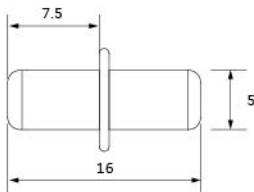
Specification	D	L
D x L	2.5-10	20-100

ITEM NO	PO3	PO4	PO5
D	3	4	5

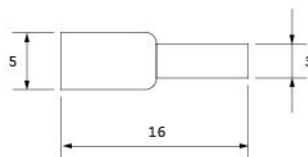
## Steel Shelf Support



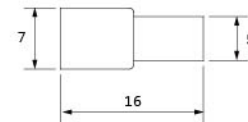
ITEM NO: P5516



ITEM NO: P5316



ITEM NO: P5716

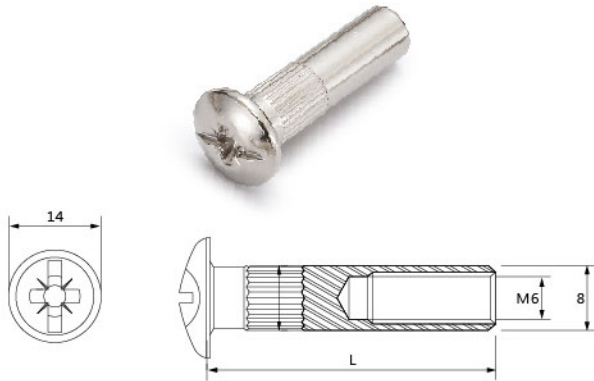


## Supporting Pin

ITEM NO: PO8160

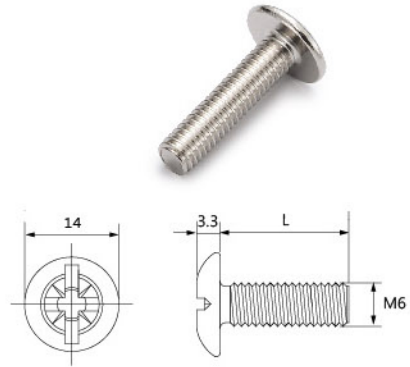


## M6 Sleeve Nuts / Pan Head



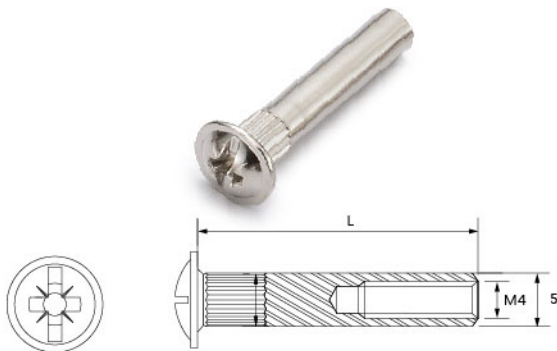
Dia.	L
M6	30

## M6 Connecting Screws / Pan Head



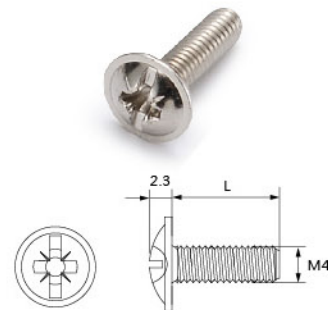
Dia.	L
M6	10-50

## M4 Sleeve Nuts / Pan Head



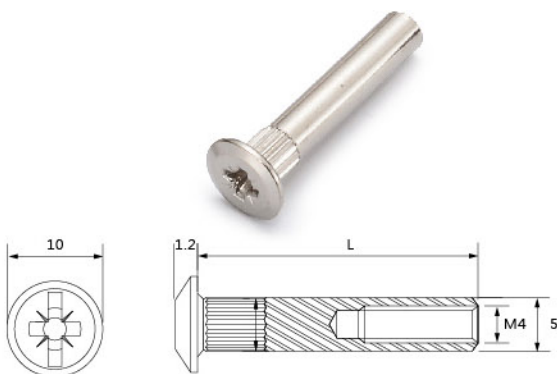
Dia.	L
M4	15-40

## M4 Connecting Screws / Pan Head



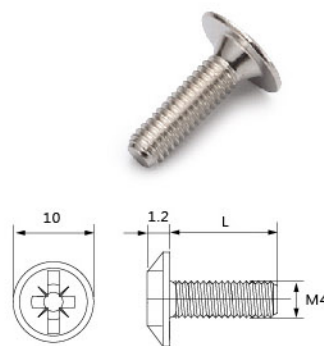
Dia.	L
M4	7.5-50

## M4 Sleeve Nuts / Flat Head



Dia.	L
M4	15-40

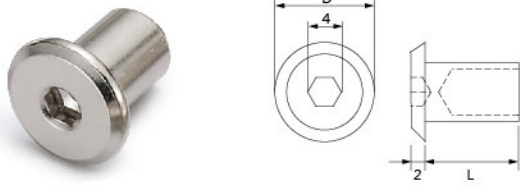
## M4 Connecting Screws / Flat Head



Dia.	L
M4	7.5-50

# Sleeve Nuts

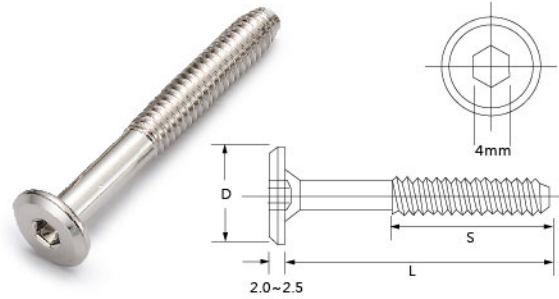
## JCN Nuts



Head Width 13/15/17mm  
Outer Thread Dia.: M6, 1/4", 5/16"

D	L
13	
15	12-40
17	

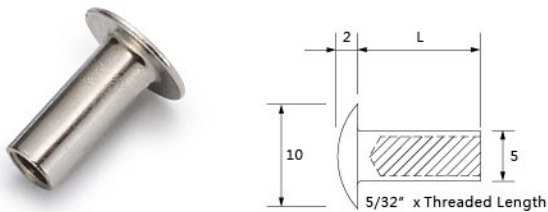
## JCBB/JCBC/JCBD Screws



Outer Thread Dia.: M6, 1/4", 5/16"

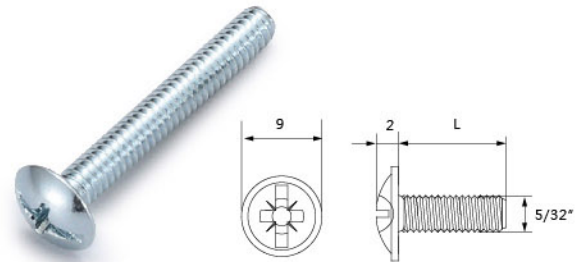
D	L
13	
15	10-150
17	

## 5/32" Rivets



BSW	L
5/32"	13

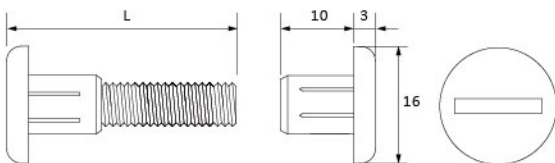
## 5/32" Screws/Knob Screws



Pozidriv / Phillips

BSW	L
5/32"	1" - 3"

## Plastic Sleeves/Plastic Screws



Black / White / Brown / Customized

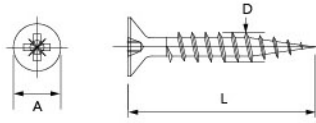
ITEM NO	L
KS-05	20-50



## Chipboard Screws/Countersunk

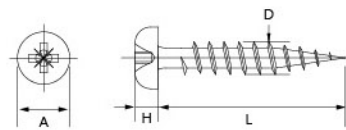
With / Out 4 Nibs

D	L	A
M2.5	12-20	4.7-5
M3.0	15-40	5.7-6
M3.5	15-50	6.6-7
M4.0	15-80	7.6-8
M4.5	15-100	8.6-9
M5.0	20-100	9.6-10
M6.0	25-150	11.5-12



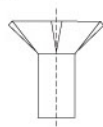
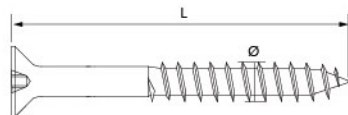
## Chipboard Screws/Pan Head

D	L	H	A
M2.5	12-20	1.8-2.1	4.5-5
M3.0	15-40	2.1-2.3	5.5-6
M3.5	15-50	2.4-2.7	6.4-7
M4.0	15-80	2.6-2.9	7.4-8
M4.5	15-100	2.8-3.1	8.4-9
M5.0	20-100	3.3-3.6	9.4-10
M6.0	25-150	3.9-4.2	11.3-12



## Chipboard Screws/Countersunk

Ø	L
#6	1/2" - 6"
#8	
#10	
#12	

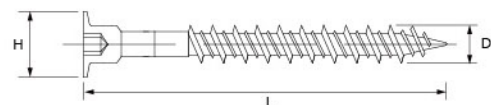


(4 nibs)



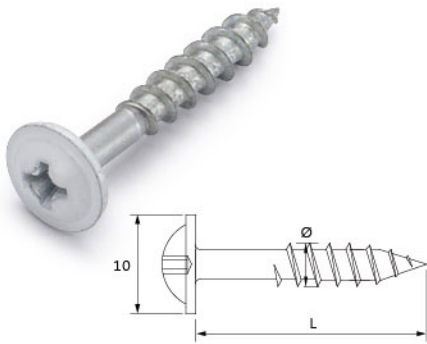
## Hi-Lo Screws

D	L	H
4.2	25-60	7.6
5.3	25-60	8.7



# Screws

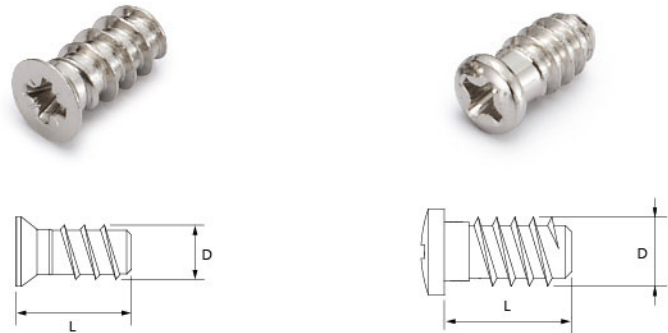
## Button Head Screws



Button Head Screws

Ø	L
4	15-65

## Euro Screws



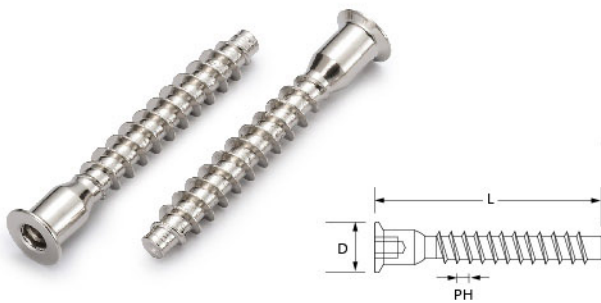
Countersunk

D	L
5.9-6.3	8-30

Pan Head

D	L
5.9-6.3	6-30

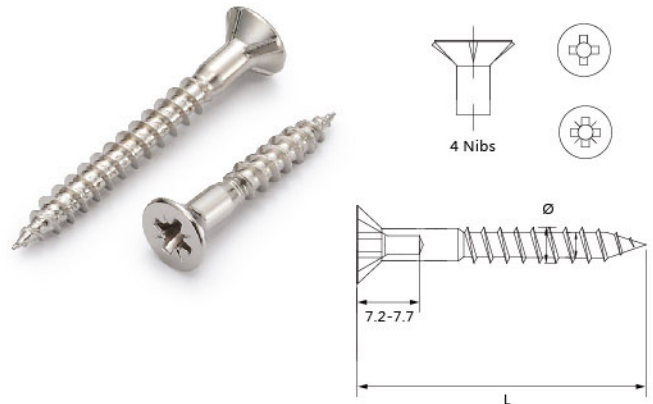
## Furniture Screws



Pozi / Phillips / Hex  
with / out hole  
Flat / Sharp End

D	L	PH
5	30/40/50	2.2
6.3	30-70	3
7	30-70	3

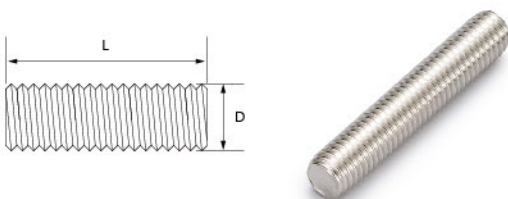
## Countersunk Screws/with hole/with 4 nibs



Pozi / Phillips

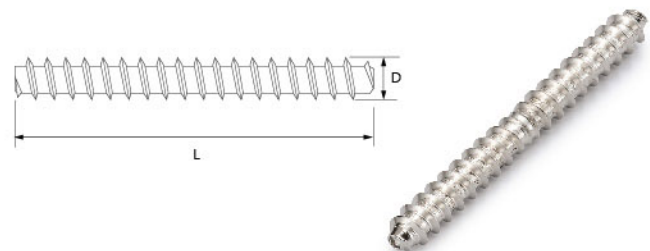
Ø	L
M4.5	25-70

## Threaded PIN



D	L
M4-M12	20-150

## Double-End Threaded PIN



D	L
5/32" , 1/4" , 5/16" , 3/8"	1"-5"

# Screwdriver Bits

## Phillips

Spec.	L
#0 - #3	25-150

## Hex

Spec.	L
#1.5 - #10	25-150

## Pozi

Spec.	L
#0 - #3	25-150

## Torx

Spec.	L
T6 - T40	25-150

## Square

Spec.	L
#0 - #4	25-150



# Bit Holders

## 2-pieces Bit Holder

(With / Out C Ring)

Specification	L	Tube Material
1/4"	60/75/100/150	Zinc Tubes Stainless Steel Tubes



## Stainless Bit Holder/Full Body

(With / Out C Ring)

Specification	L	Tube Material
1/4"	60/75	Stainless Steel Tubes

## Magnetic Nut Setter

Specification	L
6-14mm 1/4"-3/8"	45-150

## Drive Socket



Material: Alloy Steel

Driver	Hexagonal Hole Spec.	L
1/4"	4-14mm 5/32"-9/16"	26-46mm
3/8"	6-22mm 1/4"-7/8"	
1/2"	8-32mm 5/16"-1-1/4"	

## Drive Deep Socket

Material: Alloy Steel

Driver	Hexagonal Hole Spec.	L
1/4"	4-14mm 5/32"-9/16"	50mm
3/8"	6-22mm 1/4"-7/8"	63mm
1/2"	8-32mm 5/16"-1-1/4"	77mm





# KAY·TAI

FASTENERS INDUSTRIAL CO., LTD.

Head Office: No. 95-8, Gangshan, Alian Dist.,  
Kaohsiung City 82242, Taiwan (R.O.C.)  
TEL: 886-7-631-7999 FAX: 886-7-631-0568  
<http://www.fastener-world.com/en/supplier/kay-tai>  
E-mail: [keti.jo12772656@gmail.com](mailto:keti.jo12772656@gmail.com)

