

CHANGING SUN

**CHANGING SUN**

METAL CO.,LTD.



**CHANGING SUN**

METAL CO.,LTD.



**CHANGING SUN METAL CO.,LTD.**

No.28-1,Alley. 10, Lane. 151,Donglai Rd.,  
Hemei Town, Changhua County,Taiwan 508

TEL: +886-4-7330350 FAX: +886-4-7356289

E-mail: chgsunall@chgsun.com.tw

<http://www.chgsun.com>

**ISO/TS16949 CERTIFICATION**



Published:2016.03 (Third Edition)



## Specialized Production

Changing Sun Metal Co., Ltd., founded in 1990, we specialize in rivet nuts, with volume produced totaling 5 million pieces annually initially having risen to 200 million pieces currently. In 2007, we introduced the ISO 9001 system and certified ISO TS 16949 in 2011.

Changing Sun Metal Co., Ltd., devoted to produce high quality rivet nuts and develop different markets. Not only renew more advanced equipment, we also use high-tech test facilities to ensure high quality products. On the other hand, we required our employees and subcontractors follow our quality standard during each producing process. We believe that "Quality" is the only way to keep our profitable in this highly competitive market, so that we are able to guarantee customers' right. Good cooperation with our subcontractors makes us receive more and more orders from both new and original customers. We welcome global buyers to inquire about customized rivet nuts.

Rivet nut could widely apply to many industries including building, automobile, shipbuilding, medical instrument, household appliance and so on. It is more fastenable and reliable on utilizing in multi-function connect, and it would not damage painted surface. Being able to quickly set up, it could fasten on many kinds material of panel or sheet by manual or power tools. Without any maintenance fee, rivet nut could replace welding or stud with nut and could be lightweight to reduce cost.



# CHANGING SUN

METAL CO.,LTD.

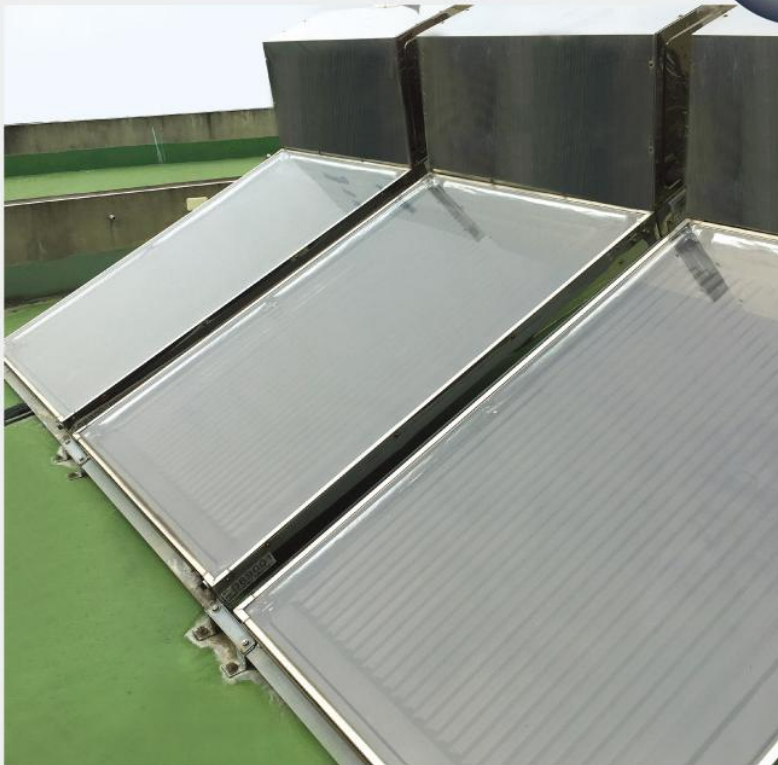
Enter



Ship Building  
Automobile  
Building







**Electronics industry**

**Medical Instruments**

**Solar Energy**

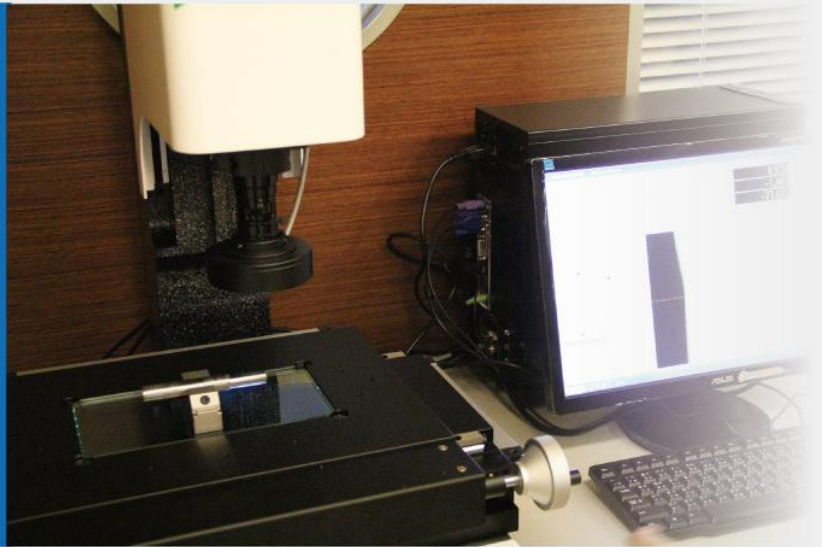


# CHANGING SUN

METAL CO.,LTD.

## QUALITY & CONTROL

Quality is the most important core value, it is to build bridges and stable partnership with our customers.

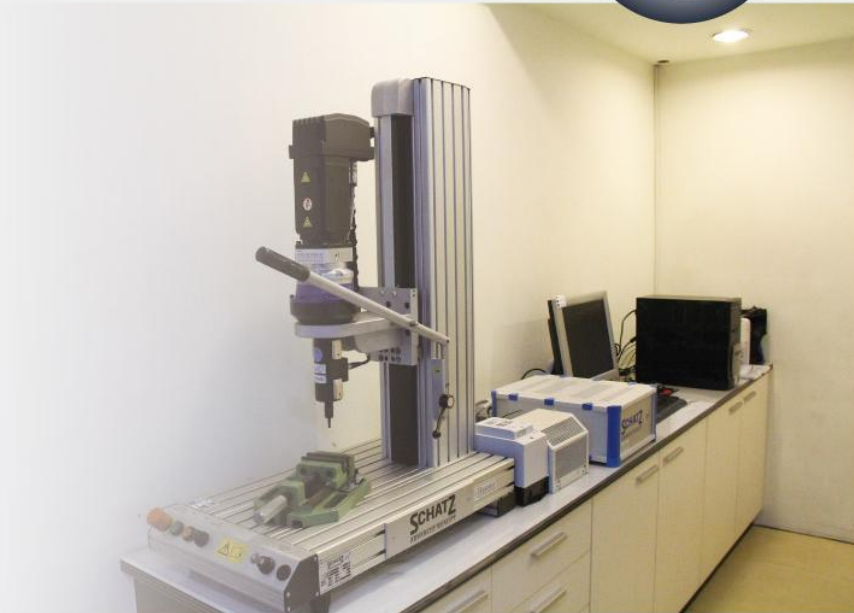


## OPTICAL SORTING MACHINE

ISO/TS16949 CERTIFICATION







The responsible and professional staff proceeds various precise inspection instruments for strictly ensuring quality.



**Torque angle sensor**  
**Hardness Tester**  
**Video measuring system**

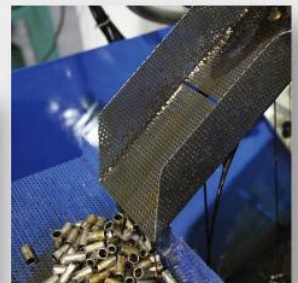


# CHANGING SUN

METAL CO.,LTD.

## EQUIPMENT & TECHNOLOGY

The professional technology engineer operates machine, so we can completely control high precision and high quality parts.



**ISO/TS16949 CERTIFICATION**

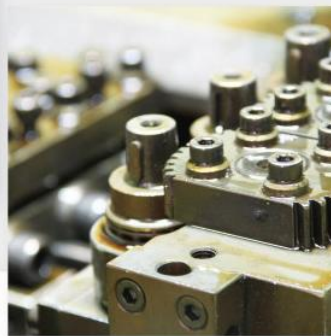


# CHANGING SUN METAL CO.,LTD.



Except processing the parts according to customers' drawings or samples, R&D engineers can cooperate with customers to provide the technical supports, including analyzing the product characteristics, choosing the part materials, treatments etc.....

## Equipment





**MATERIAL AND SURFACE TREATMENT FOR :**



**STAINLESS STEEL**  
(A2 302.304) (A4 316)



**STEEL/CR3 ZINC PLATED**



**ALUMINUM**



**BRASS (260)**

**ISO/TS16949 CERTIFICATION**



KNOWLEDGEABLE STRUCTURAL DESIGN FOR DIFFERENT GRIP RANGE AND APPLICATION DEMANDS

STRICT DIMENSION CONTROL AND STRICT TOLERANCES REQUIREMENT



WELL CONCENTRIC COLD FORMING AND THREADS TAPPING, NO SLANTS IN INSTALLATION

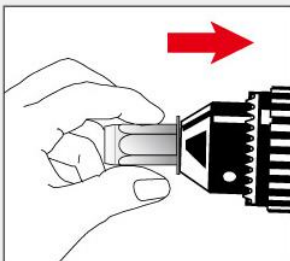
PROPER HARDNESS CONTROL SUITS ALL KINDS OF TOOLS, MANUAL, PNEUMATIC AND AUTOMATIC



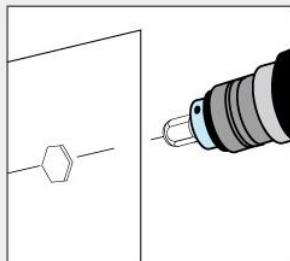
OUTSTANDING ROLLED THREADS ENABLE THREAD STRENGTH TO REMAIN STABLE AND HIGH TORQUE

QC WITH STANDARD THREAD GAUGE, NO THREAD DILATION IN INTERNATIONAL USE

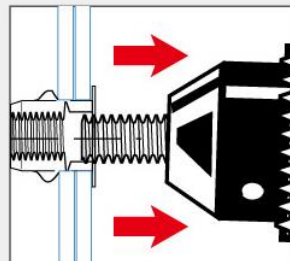
### SETUP PROCEDURES OF THE RIVET NUTS.



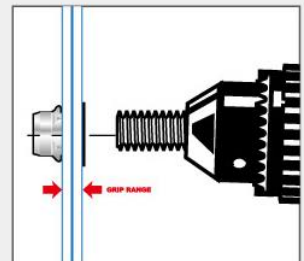
USING SPIN-SPIN OR SPIN-PULL TOOL TO SCREW IN NUTS.



SHEET METAL DRILLED WITH HEX OR ROUND HOLE. INSERT THE NUTS INTO THE HOLE.



RIVETING THE NUTS ONTO THE SHEET METALS, SCREW OUT THE TOOL.

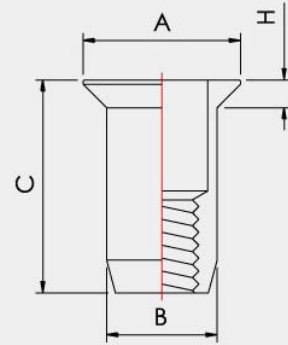
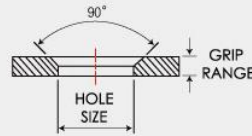


THE NUT RIVETED TIGHTLY THE SHEET METALS, IN RIGHT GRIP RANGE THICKNESS.



GS

GS



### STEEL/CR3 ZINC PLATED

OPEN END:GS

Metric size in mm

PART NO.	THREAD SIZE	GRIP RANGE	HOLE SIZE+0.1	A±0.3	B max	C±0.3	H±0.2
GS3-25	M3x0.5	1.5-2.5	5	6.50	4.97	10.50	1.00
GS4-35	M4x0.7	1.5-3.5	6	8.50	5.97	11.50	1.50
GS4-50		3.5-5.0		8.50		13.00	
GS5-40	M5x0.8	1.5-4.0	7	9.50	6.97	13.00	1.50
GS5-55		4.0-5.5				14.50	
GS6-45	M6x1.0	1.5-4.5	9	11.50	8.97	16.00	1.50
GS6-60		4.5-6.0				17.50	
GS8-45	M8x1.25	1.5-4.5	11	13.50	10.97	18.50	1.50
GS8-60		4.5-6.0				20.00	
GS10-30	M10x1.5	1.5-3.0	13	15.50	12.97	20.50	1.50
GS10-45		3.0-4.5				22.00	
GS10-60		4.5-6.0				23.50	
GS12-45	M12x1.75	1.8-4.5	16	19.00	15.97	26.00	1.80

### STAINLESS STEEL (A2、302.304)、(A4、316)

OPEN END:SS.GS

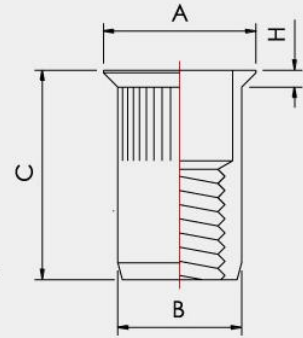
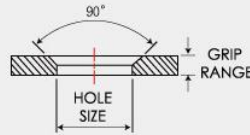
Metric size in mm

PART NO.	THREAD SIZE	GRIP RANGE	HOLE SIZE+0.1	A±0.3	B max	C±0.3	H±0.2
SS.GS4-35	M4x0.7	1.5-3.5	6	8.50	5.97	11.50	1.50
SS.GS5-40	M5x0.8	1.5-4.0	7	9.50	6.97	13.00	1.50
SS.GS6-45	M6x1.0	1.5-4.5	9	11.50	8.97	16.00	1.50
SS.GS8-45	M8x1.25	1.5-4.5	11	13.50	10.97	18.50	1.50

**CHANGING SUN**  
METAL CO.,LTD.



**GS-R**



**GS-R**

**STEEL/CR3 ZINC PLATED**

OPEN END:GS-R

**Metric size in mm**

PART NO.	THREAD SIZE	GRIP RANGE	HOLE SIZE+0.1	A±0.3	B max	C±0.3	H±0.2
GS4-35R	M4x0.7	1.5-3.5	6	8.50	5.97	11.50	1.50
GS4-50R		3.0-5.0				13.00	
GS5-40R	M5x0.8	1.5-4.0	7	9.50	6.97	13.00	1.50
GS6-45R	M6x1.0	1.5-4.5	9	11.50	8.97	16.00	1.50
GS6-60R		4.5-6.0				17.50	
GS8-45R	M8x1.25	1.5-4.5	11	13.50	10.97	18.50	1.50
GS8-65R		4.5-6.5				21.00	
GS10-45R	M10x1.5	1.5-4.5	13	15.50	12.97	22.00	1.50
GS12-45R	M12x1.75	1.8-4.5	16	18.50	15.97	26.00	1.80
GS12-75R		4.5-7.5				29.00	

**STAINLESS STEEL (A2 、 302.304) 、 (A4 、 316)**

OPEN END:SS.GS-R

**Metric size in mm**

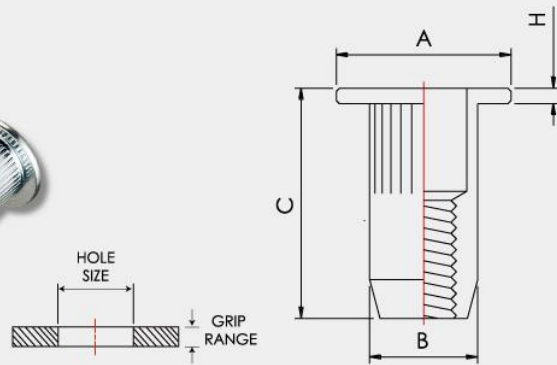
PART NO.	THREAD SIZE	GRIP RANGE	HOLE SIZE+0.1	A±0.3	B max	C±0.3	H±0.2
SS.GS4-35R	M4x0.7	1.5-3.5	6	8.50	5.97	11.50	1.50
SS.GS5-40R	M5x0.8	1.5-4.0	7	9.60	6.97	13.50	1.50
SS.GS6-45R	M6x1.0	1.5-4.5	9	11.60	8.97	16.00	1.50
SS.GS8-45R	M8x1.25	1.5-4.5	11	13.50	10.97	18.50	1.50
SS.GS10-45R	M10x1.5	1.5-4.5	13	15.50	12.97	21.00	1.50



# CHANGING SUN

METAL CO.,LTD.

GF-R



STEEL/CR3 ZINC PLATED

OPEN END:GF-R

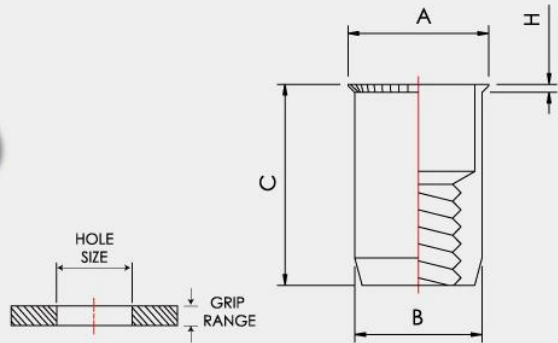
Metric size in mm

PART NO.	THREAD SIZE	GRIP RANGE	HOLE SIZE+0.1	A±0.3	B max	C±0.3	H±0.2
GF4-45R	M4x0.7	2.5-4.5	6	9.00	5.97	13.80	0.80
GF5-45R	M5x0.8	2.0-4.5	7	11.00	6.97	15.50	2.00
GF5-50R		2.5-5.0		10.00	6.97	15.00	1.00
GF6-30R	M6x1.0	0.5-3.0	9	13.00	8.97	16.00	1.50
GF6-55R		3.5-5.5			8.97	19.00	
GF6-60R		4.5-6.0			8.97	19.00	
GF10-30R	M10x1.5	1.0-3.0	13	19.00	12.97	22.50	2.00
GF12-40R	M12x1.75	1.0-4.0	16	23.00	15.97	27.00	2.00

# CHANGING SUN METAL CO.,LTD.



**MA**



## STEEL/CR3 ZINC PLATED

OPEN END:MA

Metric size in mm

PART NO.	THREAD SIZE	GRIP RANGE	HOLE SIZE+0.15	A±0.3	B max	C±0.38	H±0.13
MA3	M3x0.5	0.5-1.5	4.80	5.30	4.72	8.80	0.40
MA4	M4x0.7	0.5-2.0	6.35	7.20	6.35	10.40	0.45
MA5	M5x0.8	0.5-3.0	7.11	8.10	7.10	12.00	0.50
MA6	M6x1.0	0.7-3.0	9.60	10.50	9.50	15.00	0.60
MA8	M8x1.25	0.7-3.0	10.6	11.50	10.50	16.00	0.50
MA10	M10x1.5	1.0-4.0	12.7	13.90	12.69	19.00	0.70

## STEEL/CR3 ZINC PLATED

OPEN END:MA

Unified size in inch

PART NO.	THREAD SIZE	GRIP RANGE	HOLE SIZE+.006	A±.012	B max	C±.015	H±.005
MA632	6-32	.020-0.80	.250	.283	.249	.403	.018
MA832	8-32	.020-0.80	.250	.283	.249	.403	.018
MA1024	10-24	.020-.130	.2812	.320	.280	.460	.020
MA1032	10-32 UNF	.020-.130	.2812	.320	.280	.460	.020
MA1/4	1/4-20	.030-.165	.375	.425	.374	.602	.022
MA5/16	5/16-18	.040-.200	.500	.560	.499	.712	.022
MA3/8	3/8-16	.040-.200	.500	.560	.499	.712	.022

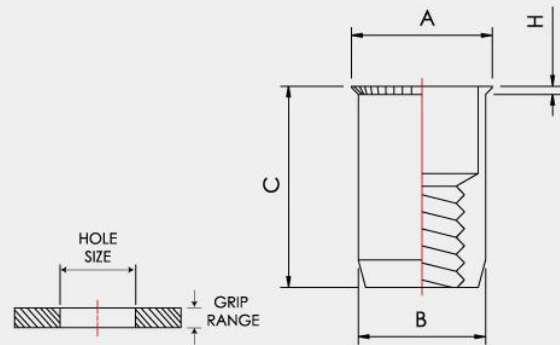
**MA**



# CHANGING SUN

METAL CO.,LTD.

MA

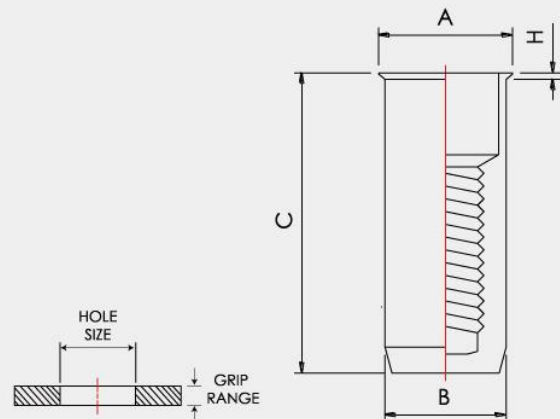


STAINLESS STEEL (A2、302.304)、(A4、316)

OPEN END:SS.MA

Metric size in mm

PART NO.	THREAD SIZE	GRIP RANGE	HOLE SIZE+0.15	A±0.3	B max	C±0.38	H±0.013
SSMA3	M3x0.5	0.5-1.5	4.80	5.50	4.72	9.00	0.40
SSMA4	M4x0.7	0.5-2.0	6.35	7.20	6.35	10.40	0.45
SSMA5	M5x0.8	0.5-3.0	7.11	8.10	7.10	11.90	0.50
SSMA6	M6x1.0	0.5-3.0	9.60	10.50	9.50	14.50	0.60
SSMA8	M8x1.25	0.5-3.0	10.60	11.50	10.50	16.00	0.60

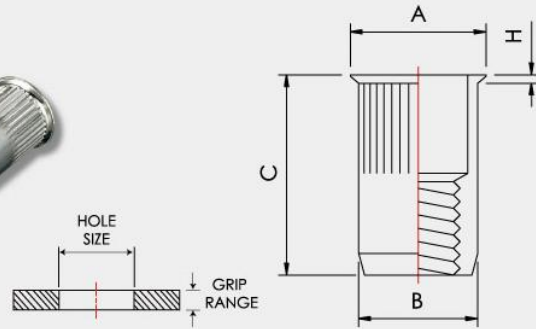


STEEL/CR3 ZINC PLATED

CLOSE END:MA-CL

Metric size in mm

PART NO.	THREAD SIZE	GRIP RANGE	HOLE SIZE+0.15	A±0.3	B max	C±0.38	H±0.13
MA4-CL	M4x0.7	0.5-2.0	6.35	7.20	6.35	15.00	0.45
MA5-CL	M5x0.8	0.5-3.0	7.11	8.10	7.10	20.20	0.50
MA6-CL	M6x1.0	0.7-3.0	9.60	10.50	9.50	23.50	0.50
MA8-CL	M8x1.25	0.7-3.0	10.60	11.50	10.50	23.00	0.50



**STEEL/CR3 ZINC PLATED**

OPEN END:MAF

**Metric size in mm**

PART NO.	THREAD SIZE	GRIP RANGE	HOLE SIZE+0.15	A±0.3	B max	C±0.38	H±0.13
MA3F	M3x0.5	0.5-1.5	4.80	5.30	4.72	8.80	0.40
MA4F	M4x0.7	0.5-2.0	6.35	7.20	6.35	10.40	0.45
MA5F	M5x0.8	0.5-3.0	7.11	8.10	7.10	12.00	0.50
MA8F	M8x1.25	0.7-3.0	10.60	11.50	10.50	16.00	0.50

**STAINLESS STEEL (A2 、 302.304)**

OPEN END:SS.MAF

**Metric size in mm**

PART NO.	THREAD SIZE	GRIP RANGE	HOLE SIZE+0.15	A±0.3	B max	C±0.38	H±0.13
SS.MA4F	M4x0.7	0.5-2.0	6.35	7.20	6.35	10.40	0.45
SS.MA5F	M5x0.8	0.5-3.0	7.11	8.10	7.10	12.00	0.50
SS.MA6F	M6x1.0	0.7-3.0	9.60	10.60	9.50	15.00	0.50
SS.MA8F	M8x1.25	0.7-3.0	10.60	11.50	10.50	16.00	0.50

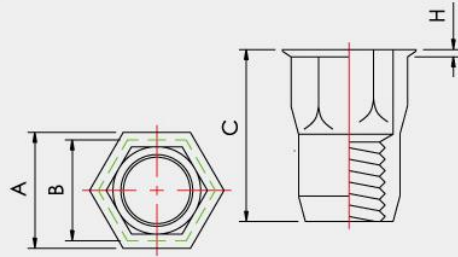
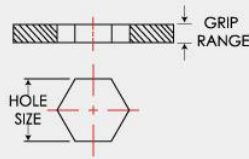




# CHANGING SUN

METAL CO.,LTD.

HA



## STEEL/CR3 ZINC PLATED

OPEN END:HA

Metric size in mm

PART NO.	THREAD SIZE	GRIP RANGE	HOLE SIZE+0.15	A±0.3	B max	C±0.38	H±0.13
HA4	M4x0.7	0.5-2.5	6.40	7.00	6.35	10.40	0.40
HA5	M5x0.8	0.5-3.0	7.11	8.10	7.10	12.00	0.50
HA6	M6x1.0	0.7-3.2	9.60	10.50	9.50	14.50	0.50
		3.0-5.0				16.00	
HA8	M8x1.25	0.7-3.2	10.60	11.50	10.50	16.00	0.50
HA10	M10x1.5	1.0-3.5	12.70	14.00	12.70	18.80	0.60
		1.0-4.0				22.50	

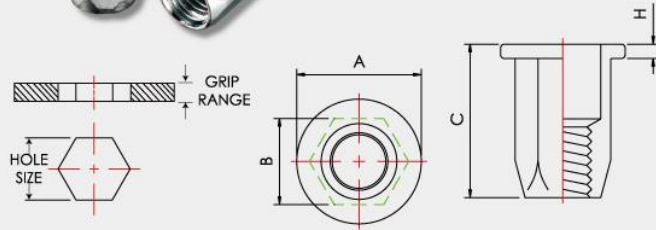
## STAINLESS STEEL (A2、302.304)、(A4、316)

OPEN END:SS.HA

Metric size in mm

PART NO.	THREAD SIZE	GRIP RANGE	HOLE SIZE+0.15	A±0.3	B max	C±0.38	H±0.13
SS.HA4	M4x0.7	0.5-2.5	6.40	7.00	6.35	10.40	0.40
SS.HA5	M5x0.8	0.5-3.0	7.11	8.10	7.10	12.00	0.50
SS.HA6	M6x1.0	0.7-3.2	9.60	10.50	9.50	14.50	0.50
SS.HA8	M8x1.25	0.7-3.2	10.60	11.50	10.50	16.00	0.50

# CHANGING SUN METAL CO.,LTD.

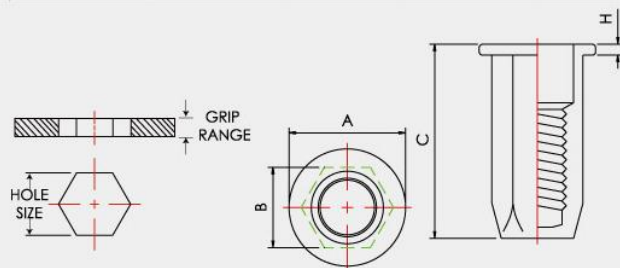


STEEL/CR3 ZINC PLATED

OPEN END:HH

Metric size in mm

PART NO.	THREAD SIZE	GRIP RANGE	HOLE SIZE+0.1	A±0.3	B max	C±0.3	H±0.2
HH4	M4x0.7	0.5-2.5	6	9.00	5.97	11.20	0.80
		2.5-4.0				12.70	
HH5	M5x0.8	0.5-3.0	7	10.00	6.97	13.00	1.00
		3.0-4.5				14.50	
HH6	M6x1.0	0.5-3.0	9	13.00	8.97	16.00	1.50
		3.0-5.0				18.00	
HH8	M8x1.25	0.5-3.0	11	16.00	10.97	18.00	1.50
		3.0-5.5				20.50	
		8.0-10.0				25.00	
HH10	M10x1.5	1.0-4.5	13	19.00	12.97	24.00	2.00
		4.0-6.0				25.50	
		6.0-9.5				29.00	2.23
HH12	M12x1.75	1.5-5.0	16	23.00	15.97	27.00	2.00



STEEL/CR3 ZINC PLATED

CLOSE END:HH-CL

Metric size in mm

PART NO.	THREAD SIZE	GRIP RANGE	HOLE SIZE+0.1	A±0.3	B max	C±0.3	H±0.2
HH4-CL	M4x0.7	0.5-2.5	6	9.00	5.97	16.00	1.00
HH5-CL	M5x0.8	0.5-3.0	7	10.00	6.97	20.00	1.00
HH6-CL	M6x1.0	0.5-3.0	9	13.00	8.97	23.00	1.50
HH8-CL	M8x1.25	0.5-3.0	11	16.00	10.97	26.50	1.50
		3.0-5.5				28.50	

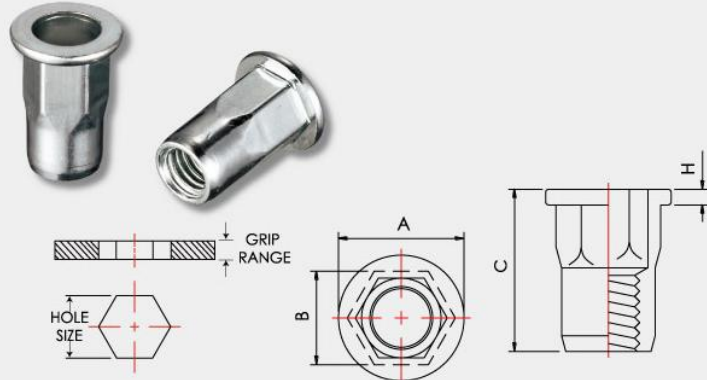




# CHANGING SUN

METAL CO.,LTD.

**HB**



STEEL/CR3 ZINC PLATED

OPEN END:HB

Metric size in mm

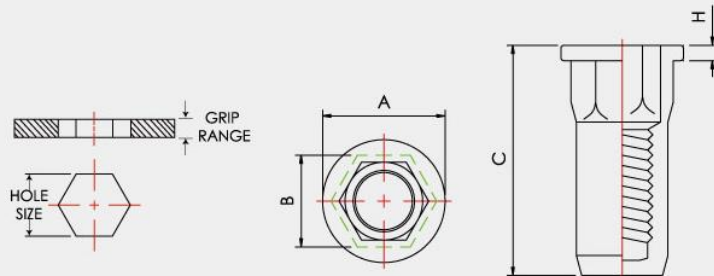
PART NO.	THREAD SIZE	GRIP RANGE	HOLE SIZE+01	A±0.3	B max	C±0.3	H±0.2
HB4	M4x0.7	0.5-2.5	6	9.00	5.97	11.00	0.80
HB5	M5x0.8	0.5-3.0	7	10.00	6.97	13.80	1.00
HB8	M8x1.25	0.5-3.0	11	16.00	10.97	18.00	1.50
HB10	M10x1.5	0.5-3.0	13	19.00	12.97	21.00	2.00
		1.0-4.5				24.00	

STAINLESS STEEL (A2、302.304)、(A4、316)

OPEN END:SS.HB

Metric size in mm

PART NO.	THREAD SIZE	GRIP RANGE	HOLE SIZE+01	A±0.3	B max	C±0.3	H±0.2
SS.HB4	M4x0.7	0.5-2.5	6	9.00	5.97	11.00	0.80
SS.HB5	M5x0.8	0.5-3.0	7	10.00	6.97	13.00	1.00
SS.HB6	M6x1.0	0.5-3.0	9	12.00	8.97	15.50	1.50
SS.HB8	M8x1.25	0.5-3.0	11	15.00	10.97	17.50	1.50
SS.HB10	M10x1.5	1.0-3.5	13	17.00	12.97	21.00	2.00



STAINLESS STEEL (A2、302.304)、(A4、316)

OPEN END:SS.HB-CL

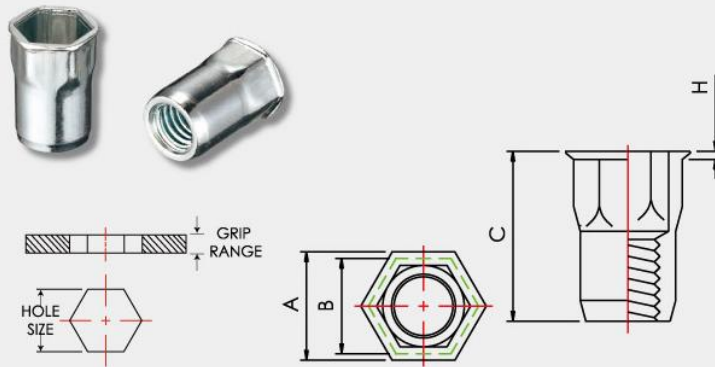
Metric size in mm

PART NO.	THREAD SIZE	GRIP RANGE	HOLE SIZE+01	A±0.3	B max	C±0.3	H±0.2
SS.HB4-CL	M4x0.7	0.5-2.5	6	9.30	5.97	16.50	1.00
SS.HB5-CL	M5x0.8	0.5-3.0	7	10.00	6.97	19.00	1.00
SS.HB6-CL	M6x1.0	0.5-3.0	9	12.00	8.97	22.50	1.50
SS.HB8-CL	M8x1.25	0.5-3.0	11	15.00	10.97	25.50	1.50

# CHANGING SUN METAL CO.,LTD.



**HD**



## STEEL/CR3 ZINC PLATED

OPEN END:HD

Metric size in mm

PART NO.	THREAD SIZE	GRIP RANGE	HOLE SIZE+0.1	A±0.3	B max	C±0.3	H±0.2
HD3	M3x0.5	1.5-3.0	5	5.80	4.97	10.00	0.50
HD4	M4x0.7	0.5-2.0	6	6.80	5.97	10.50	0.40
HD5	M5x0.8	0.5-3.0	7	8.00	6.97	11.70	0.50
HD6	M6x1.0	0.5-3.0	9	10.00	8.97	14.50	0.50
HD8	M8x1.25	0.5-3.0	11	12.00	10.97	16.50	0.50
HD10	M10x1.5	1.0-3.5	13	14.00	12.97	20.00	0.80
		3.5-6.0				24.00	

## STAINLESS STEEL (A2、302.304)、(A4、316)

OPEN END:SS.HD

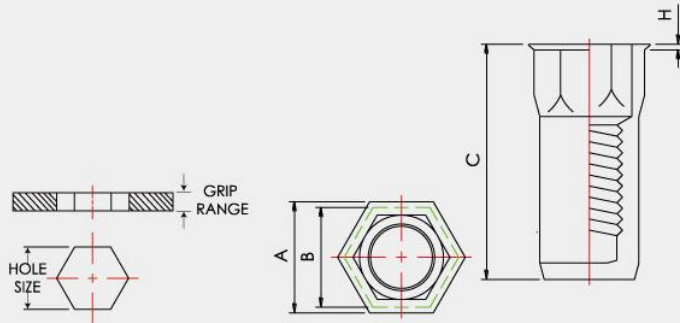
Metric size in mm

PART NO.	THREAD SIZE	GRIP RANGE	HOLE SIZE+0.1	A±0.3	B max	C±0.3	H±0.2
SS.HD3	M3x0.5	0.3-1.5	5	5.80	4.97	8.50	0.40
SS.HD4	M4x0.7	0.5-2.0	6	6.80	5.97	11.00	0.50
SS.HD5	M5x0.8	0.5-3.0	7	8.00	6.97	11.80	0.60
SS.HD6	M6x1.0	0.5-3.0	9	10.00	8.97	14.50	0.60
SS.HD8	M8x1.25	0.5-3.0	11	12.00	10.97	16.00	0.60
		3.0-5.0				18.00	
SS.HD10	M10x1.5	1.0-3.5	13	14.10	12.97	19.50	0.80

HD



**HD**



## STEEL/CR3 ZINC PLATED

CLOSE END:HD-CL

Metric size in mm

PART NO.	THREAD SIZE	GRIP RANGE	HOLE SIZE+0.1	A±0.3	B max	C±0.3	H±0.2
HD4-CL	M4x0.7	0.5-2.0	6	7.00	5.97	16.00	0.50
HD5-CL	M5x0.8	0.5-3.0	7	8.00	6.97	18.20	0.50
HD6-CL	M6x1.0	0.5-3.0	9	10.00	8.97	21.20	0.50
HD8-CL	M8x1.25	0.5-3.0	11	12.00	10.97	24.00	0.60

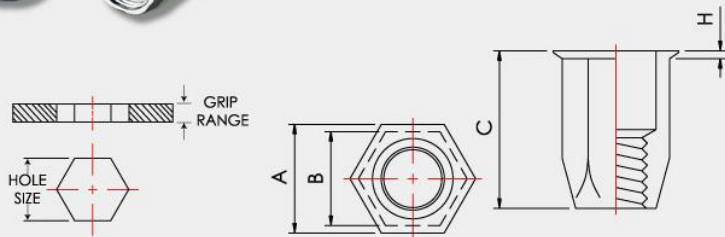
## STAINLESS STEEL (A2、302.304)、(A4、316)

CLOSE END:SS-HD-CL

Metric size in mm

PART NO.	THREAD SIZE	GRIP RANGE	HOLE SIZE+0.1	A±0.3	B max	C±0.3	H±0.2
SS.HD4-CL	M4x0.7	0.5-2.0	6	6.80	5.97	16.00	0.50
SS.HD5-CL	M5x0.8	0.5-3.0	7	8.00	6.97	18.00	0.60
SS.HD6-CL	M6x1.0	0.5-3.0	9	10.00	8.97	21.00	0.60
SS.HD8-CL	M8x1.25	0.5-3.0	11	12.00	10.97	23.50	0.60
SS.HD10-CL	M10x1.5	1.0-3.5	13	14.10	12.97	28.00	0.80
		1.0-4.5				29.00	
		4.5-6.0				31.00	

**HD**



STEEL/CR3 ZINC PLATED

OPEN END:HE

Metric size in mm

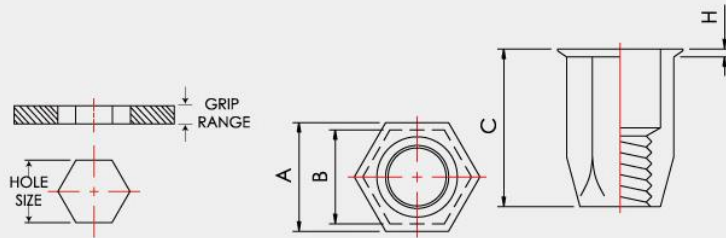
PART NO.	THREAD SIZE	GRIP RANGE	HOLE SIZE+0.1	A±0.3	B max	C±0.3	H±0.2
HE3	M3x0.5	0.3-1.5	5	5.80	4.97	8.50	0.50
HE4	M4x0.7	0.5-2.5	6	6.90	5.97	10.00	0.50
HE5	M5x0.8	0.5-3.0	7	8.00	6.97	12.00	0.60
HE6	M6x1.0	0.5-3.0	9	10.00	8.97	15.00	0.60
		3.0-5.5				18.00	
HE8	M8x1.25	0.7-3.5	11	12.00	10.97	17.50	0.60
HE10	M10x1.5	1.0-4.5	13	14.50	12.97	23.00	1.00
		1.0-3.5				22.50	
		3.0-6.0				25.00	
HE12	M12x1.75	1.0-3.5	16	18.25	15.97	25.00	0.90
		3.5-6.5				28.00	



# CHANGING SUN

METAL CO.,LTD.

HE



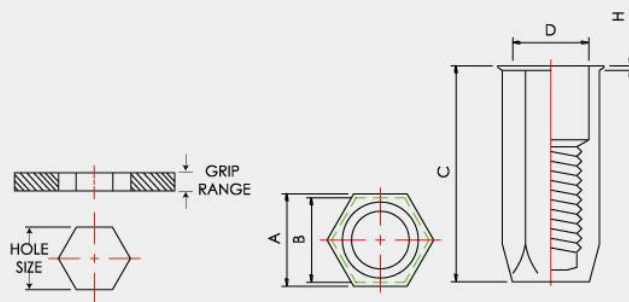
STAINLESS STEEL (A2、302.304)、(A4、316)

OPEN END:SS.HE

Metric size in mm

PART NO.	THREAD SIZE	GRIP RANGE	HOLE SIZE+0.1	A±0.3	B max	C±0.3	H±0.2
SS.HE4	M4x0.7	0.5-2.0	6	6.90	5.97	10.00	0.50
SS.HE5	M5x0.8	0.5-3.0	7	8.00	6.97	12.00	0.60
SS.HE6	M6x1.0	0.7-3.0	9	10.00	8.97	14.00	0.60

HE



STEEL/CR3 ZINC PLATED

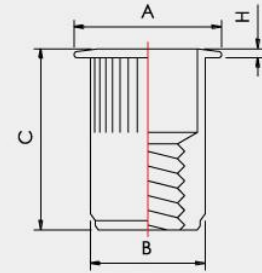
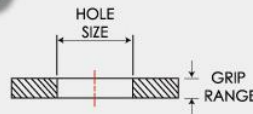
CLOSE END:HE-CL

Metric size in mm

PART NO.	THREAD SIZE	GRIP RANGE	HOLE SIZE+0.1	A±0.3	B max	C±0.3	H±0.2
HE4-CL	M4x0.7	0.5-2.5	6	6.90	5.97	16.00	0.50
HE5-CL	M5x0.8	0.5-3.0	7	8.00	6.97	20.00	0.60
HE6-CL	M6x1.0	0.5-3.0	9	10.00	8.97	22.00	0.60
HE8-CL	M8x1.25	0.7-3.5	11	12.00	10.97	25.50	0.60
		3.0-6.0				28.00	



# CHANGING SUN METAL CO.,LTD.



## STEEL/CR3 ZINC PLATED

OPEN END:DN

Metric size in mm

PART NO.	THREAD SIZE	GRIP RANGE	HOLE SIZE+0.15	A±0.3	B max	C±0.38	H±0.13
DN4	M4x0.7	0.5-2.0	6.75	9.91	6.73	11.43	0.76
		2.0-3.3				12.67	
DN5	M5x0.8	0.5-3.3	7.60	10.50	7.52	12.80	0.76
		3.3-5.7				15.60	
DN6	M6x1.0	0.7-4.2	10.00	12.70	9.91	15.50	0.76
		4.2-6.6				18.00	
DN8	M8x1.25	0.7-3.8	13.50	17.40	13.46	18.42	0.89
		3.8-7.9				21.35	
DN10	M10x1.5	0.7-3.8	13.50	17.40	13.46	18.40	0.89
		3.8-7.9				21.30	

## STEEL/CR3 ZINC PLATED

OPEN END:DN

Unified size in inch

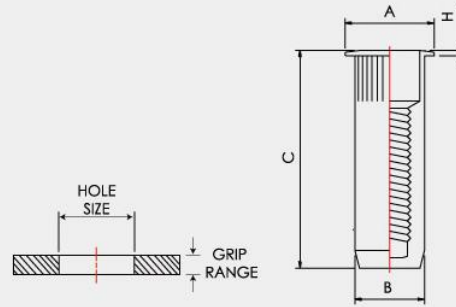
PART NO.	THREAD SIZE	GRIP RANGE	HOLE SIZE+0.06	A±.012	B max	C±.015	H±.005
DN632-80	6-32	.020-.080	.2656	.390	.265	.450	.030
DN632-130		.080-.130				.500	
DN832-80	8-32	.020-.080	.2656	.390	.265	.450	.030
DN832-130		.080-.130				.500	
DN1024-130	10-24	.020-.130	.2969	.415	.296	.505	.030
DN1024-225		.130-.225				.615	
DN1032-130	10-32UNF	.020-.130	.2969	.415	.296	.505	.030
DN1032-225		.130-.225				.615	
DN1/4-165	1/4-20	.027-.165	.3906	.500	.390	.610	.030
DN1/4-260		.165-.260				.710	
DN5/16-150	5/16-18	.027-.150	.5312	.685	.530	.725	.035
DN5/16-312		.150-.312				.840	
DN3/8-150	3/8-16	.027-.150	.5312	.685	.530	.725	.035
DN3/8-312		.150-.312				.840	
DN1/2-200	1/2-13	.063-.200	.6875	.865	.685	1.197	.047
DN1/2-350		.200-.350				1.347	
DN1/2-500		.350-.500				1.497	



# CHANGING SUN

METAL CO.,LTD.

**DN**

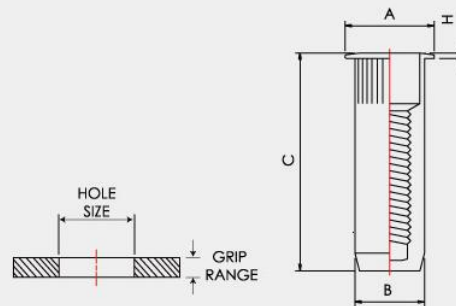


## STEEL/CR3 ZINC PLATED

CLOSE END:DN-CL

**Metric size in mm**

PART NO.	THREAD SIZE	GRIP RANGE	HOLE SIZE+0.15	A±0.3	B max	C±0.38	H±0.13
DN5-CL	M5x0.8	0.5-3.3	7.60	10.50	7.52	25.90	0.76
		3.3-5.7					
DN6-CL	M6x1.0	0.7-4.2	10.00	12.70	9.91	31.00	0.76
		4.2-6.6					
DN8-CL	M8x1.25	3.8-7.9	13.50	17.40	13.46	36.20	0.89



## STEEL/CR3 ZINC PLATED

CLOSE END:DN-CL

**Unified size in inch**

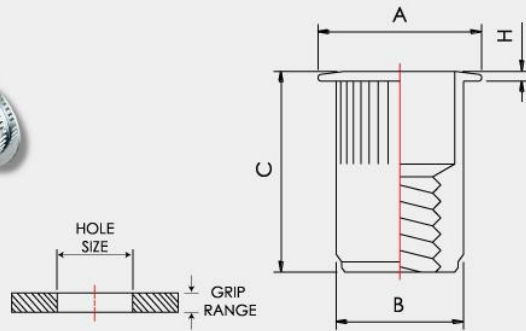
PART NO.	THREAD SIZE	GRIP RANGE	HOLE SIZE+.006	A±.012	B max	C±.015	H±.005
DN632-80-CL	6-32	.020-.080	.2656	.390	.265	.770	.030
DN632-130-CL		.080-.130					
DN832-80-CL	8-32	.020-.080	.2656	.390	.265	.770	.030
DN832-130-CL		.080-.130					
DN1024-130-CL	10-24	.020-.130	.2969	.415	.296	1.020	.030
DN1024-225-CL		.130-.225					
DN1032-130-CL	10-32UNF	.020-.130	.2969	.415	.296	1.020	.030
DN1032-225-CL		.130-.225					
DN1/4x165-CL	1/4-20	.027-.165	.3906	.500	.390	1.220	.030
DN1/4x260-CL		.165-.260					

**DN**

# CHANGING SUN METAL CO.,LTD.



**DN**



## ALUMINUM

OPEN END:A-DN

Unified size in inch

PART NO.	THREAD SIZE	GRIP RANGE	HOLE SIZE+.006	A±.012	B max	C±.015	H±.005
A DN632x80	6-32	.020-.080	.2656	.390	.265	.450	.030
A DN632x130		.080-.130				.500	
A DN832x80	8-32	.020-.080	.2656	.390	.265	.450	.030
A DN832x130		.080-.130				.500	
A DN1024x130	10-24	.020-.130	.2969	.415	.296	.505	.030
A DN1024x225		.130-.225				.615	
A DN1032x130	10-32UNF	.020-.130	.2969	.415	.296	.505	.030
A DN1032x225		.130-.225				.615	
A DN1/4x165	1/4-20	.027-.165	.3906	.500	.390	.610	.030
A DN1/4x260		.165-.260				.710	
A DN5/16x150	5/6-18	.027-.150	.5312	.685	.530	.725	.035
A DN5/16x312		.150-.312				.840	
A DN3/8x150	3/8-16	.027-.150	.5312	.685	.530	.725	.035
A DN3/8x312		.150-.312				.840	
A DN1/2-200	1/2-13	.063-.200	.6875	.865	.685	1.197	.047
A DN1/2-350		.200-.350				1.347	
A DN1/2-500		.350-.500				1.497	

DN

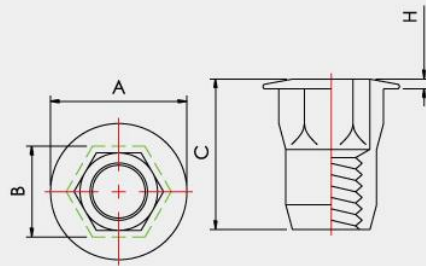
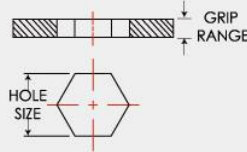


# CHANGING SUN

METAL CO.,LTD.

DH

DH



## STEEL/CR3 ZINC PLATED

OPEN END:DH

Metric size in mm

PART NO.	THREAD SIZE	GRIP RANGE	HOLE SIZE+0.15	A±0.3	B max	C±0.38	H±0.13
DH4	M4x0.7	0.5-2.0	6.35	9.50	6.33	10.50	0.68
		2.0-3.3				11.70	
DH5	M5x0.8	0.5-3.3	7.14	9.91	7.10	11.80	0.68
DH6	M6x1.0	0.7-4.2	9.53	12.97	9.50	15.60	0.75
		4.2-6.6				18.15	
DH8	M8x1.25	0.7-3.8	12.70	16.64	12.67	18.30	0.89
		3.8-7.9				22.35	
DH10	M10x1.5	0.7-3.8	12.70	16.64	12.67	18.30	0.89
		3.8-7.9				22.35	

## STEEL/CR3 ZINC PLATED

OPEN END:DH

Unified size in inch

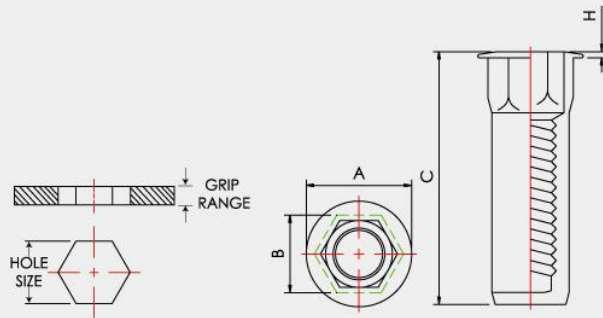
PART NO.	THREAD SIZE	GRIP RANGE	HOLE SIZE+.006	A±.012	B max	C±.015	H±.005
DH632-80	6-32	.020-.080	.250	.375	.249	.412	.027
DH832-80	8-32	.020-.080	.250	.375	.249	.412	.027
DH1024-130	10-24	.020-.130	.281	.390	.280	.462	.027
DH1032-130	10-32 UNF	.020-.130	.281	.390	.280	.462	.027
DH1/4-165	1/4-20	.027-.165	.375	.510	.374	.615	.030
DH5/16-150	5/16-18	.027-.150	.500	.655	.499	.720	.035
DH3/8-150	3/8-16	.027-.150	.500	.655	.499	.720	.035

**CHANGING SUN**  
METAL CO.,LTD.



**DH**

**DH**



STEEL/CR3 ZINC PLATED

CLOSE END:DH-CL

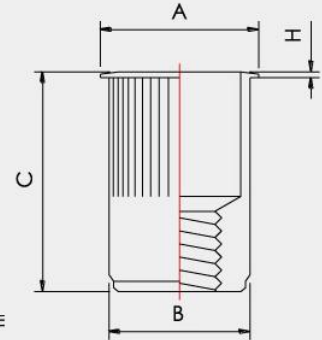
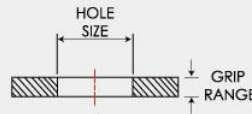
Unified size in inch

PART NO.	THREAD SIZE	GRIP RANGE	HOLE SIZE+.006	A±0.12	B max	C±0.15	H±.005
DH632-80-CL	6-32	.020-.080	.250	.375	.249	.767	.027
DH832-80-CL	8-32	.020-.080	.250	.375	.249	.767	.027
DH1024-130-CL	10-24	.020-.130	.281	.390	.280	1.057	.027
DH1032-130-CL	10-32 UNF	.020-.130	.281	.390	.280	1.057	.027
DH1/4-165-CL	1/4-20	.027-.165	.375	.510	.374	1.220	.030
DH5/16-150-CL	5/16-18	.027-.150	.500	.655	.499	1.480	.035
DH3/8-150-CL	3/8-16	.027-.150	.500	.655	.499	1.480	.035

# CHANGING SUN

METAL CO.,LTD.

KN



## STEEL/CR3 ZINC PLATED

OPEN END:KN

Metric size in mm

PART NO.	THREAD SIZE	GRIP RANGE	HOLE SIZE+0.15	A±0.3	B max	C±0.38	H±0.13
KN4	M4x0.7	0.5-2.0	6.75	7.87	6.73	11.15	0.48
		2.0-3.3				12.40	
KN5	M5x0.8	0.5-3.3	7.60	8.64	7.52	12.55	0.48
		3.3-5.7				15.30	
KN6	M6x1.0	0.7-4.2	10.00	11.50	9.91	15.25	0.55
		4.2-6.6				17.80	
KN8	M8x1.25	0.7-3.8	13.50	15.10	13.46	18.08	0.55
		3.8-7.9				21.00	
KN10	M10x1.5	0.7-3.8	13.50	15.10	13.46	18.08	0.55
		3.8-7.9				21.00	

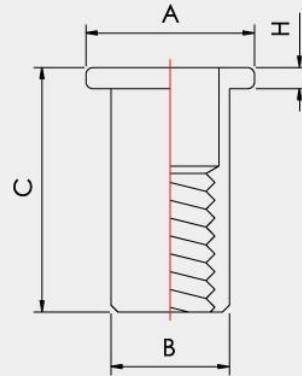
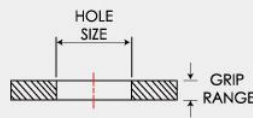
## STEEL/CR3 ZINC PLATED

OPEN END:KN

Unified size in inch

PART NO.	THREAD SIZE	GRIP RANGE	HOLE SIZE+.006	A±.012	B max	C±.015	H±.005
KN632-80	6-32	.020-.080	.2656	.310	.265	.439	.019
KN632-130		.080-.130				.489	
KN832-80	8-32	.020-.080	.2656	.310	.265	.439	.019
KN832-130		.080-.130				.489	
KN1024-130	10-24	.020-.130	.2969	.340	.296	.494	.019
KN1024-225		.130-.225				.604	
KN1032-130	10-32UNF	.020-.130	.2969	.340	.296	.494	.019
KN1032-225		.130-.225				.604	
KN1/4-165	1/4-20	.027-.165	.3906	.455	.390	.602	.022
KN1/4-260		.165-.260				.702	
KN5/16-150	5/16-18	.027-.150	.5312	.595	.530	.712	.022
KN5/16-312		.150-.312				.827	
KN3/8-150	3/8-16	.027-.150	.5312	.595	.530	.712	.022
KN3/8-312		.150-.312				.827	





**STEEL/CR3 ZINC PLATED**

OPEN END:FN

**Metric size in mm**

PART NO.	THREAD SIZE	GRIP RANGE	HOLE SIZE+0.15	A±0.3	B max	C±0.38	H±0.13
FN5	M5x0.8	0.25-2.0	6.75	10.00	6.30	14.00	1.00
FN6	M6x1.0	0.5-2.0	8.43	13.40	8.43	17.40	1.50
		3.5-5.0				20.00	
FN10	M10x1.5	1.0-3.0	13.50	19.50	12.44	22.20	2.23

**STEEL/CR3 ZINC PLATED**

OPEN END:FN

**Unified size in inch**

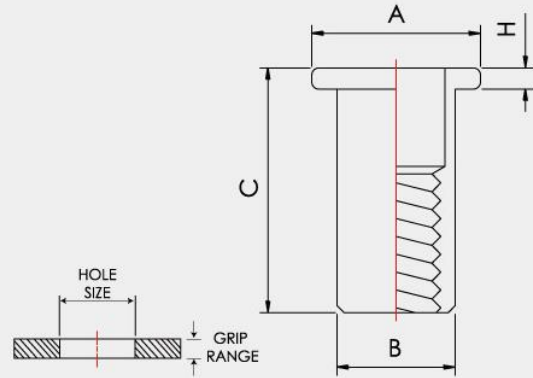
PART NO.	THREAD SIZE	GRIP RANGE	HOLE SIZE+.006	A±.012	B max	C±.015	H±.005
FN632-75	6-32	.010-.075	.189	.325	.189	.470	.032
FN632-120		.075-.120				.532	
FN832-75	8-32	.010-.075	.221	.357	.221	.470	.032
FN832-120		.075-.120				.532	
FN1032-80	10-32UNF	.010-.080	.250	.406	.250	.569	.038
FN1032-130		.080-.130				.632	
FN1/4-80	1/4-20	.020-.080	.332	.475	.332	.683	.058
FN1/4x140		.080-.140				.745	
FN1/4-200		.140-.200				.808	
FN5/16-125	5/16-18	.030-.125	.413	.665	.413	.812	.062
FN5/16-200		.125-.200				.937	
FN3/8-115	3/8-16	.030-.115	.490	.781	.490	.932	.088
FN3/8-200		.115-.200				1.026	
FN1/2-150	1/2-13	.050-.150	.625	.906	.625	.991	.085



# CHANGING SUN

METAL CO.,LTD.

**FN**



## ALUMINUM

OPEN END:A.FN

**Metric size in mm**

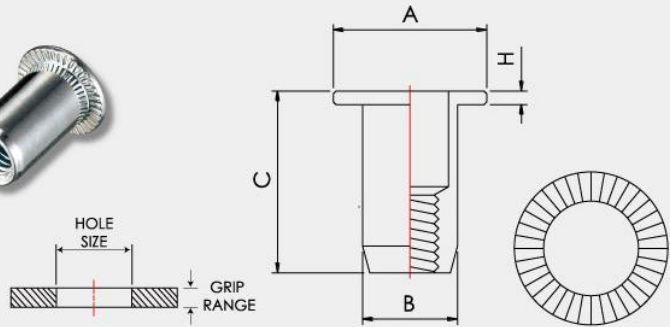
PART NO.	THREAD SIZE	GRIP RANGE	HOLE SIZE+0.15	A±0.3	B max	C±0.38	H±0.13
A FN5	M5x0.8	0.25-2.0	6.75	10.00	6.30	14.00	1.00
A FN6	M6x1.0	0.5-2.0	8.43	13.40	8.43	17.40	1.50
		3.5-5.0				20.00	
A FN10	M10x1.5	1.0-3.0	13.50	19.50	12.44	22.20	2.23

## ALUMINUM

OPEN END:A.FN

**Unified size in inch**

PART NO.	THREAD SIZE	GRIP RANGE	HOLE SIZE+.006	A±.012	B max	C±.015	H±.005
A.FN632-75	6-32	.010-.075	.189	.325	.189	.470	.032
A.FN632-120		.075-.120				.532	
A.FN832-75	8-32	.010-.075	.221	.357	.221	.470	.032
A.FN832-120		.075-.120				.532	
A.FN1032-80	10-32UNF	.010-.080	.250	.406	.250	.569	.038
A.FN1032-130		.080-.130				.632	
A.FN1/4-80	1/4-20	.020-.080	.332	.475	.332	.683	.058
A.FN1/4x140		.080-.140				.745	
A.FN1/4-200		.140-.200				.808	
A.FN5/16-125	5/16-18	.030-.125	.413	.665	.413	.812	.062
A.FN5/16-200		.125-.200				.937	
A.FN3/8-115	3/8-16	.030-.115	.490	.781	.490	.932	.088
A.FN3/8-200		.115-.200				1.026	
A.FN1/2-150	1/2-13	.050-.150	.625	.906	.625	.991	.085



**STEEL/CR3 ZINC PLATED**

OPEN END:MM

**Metric size in mm**

PART NO.	THREAD SIZE	GRIP RANGE	HOLE SIZE+0.1	A±0.3	B max	C±0.3	H±0.2
MM3	M3x0.5	0.5-2.0	5	8.00	4.97	9.50	0.70
MM4	M4x0.7	0.5-2.5	6	9.00	5.97	11.20	0.80
MM5	M5x0.8	0.5-3.0	7	10.00	6.97	12.80	1.00
MM6	M6x1.0	0.7-3.0	9	13.00	8.97	16.00	1.50
		3.0-5.0				18.50	
MM8	M8x1.25	0.7-3.0	11	15.00	10.97	18.00	1.50
		8.0-10.5				25.50	
MM10	M10x1.5	1.0-3.5	13	17.00	12.97	20.00	1.50
MM12	M12x1.75	4.0-7.0	16	23.00	15.97	28.00	2.00



**STAINLESS STEEL (A2、302.304)、(A4、316)**

OPEN END:SS.MM

**Metric size in mm**

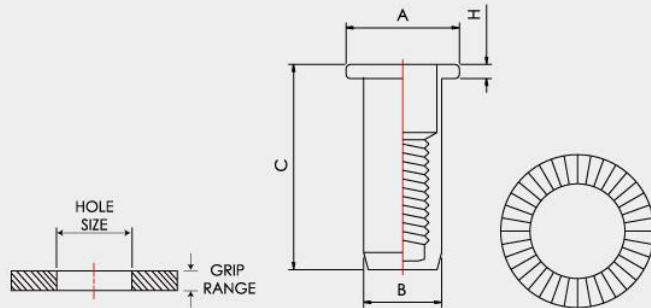
PART NO.	THREAD SIZE	GRIP RANGE	HOLE SIZE+0.1	A±0.3	B max	C±0.3	H±0.2
SS.MM3	M3x0.5	0.5-2.0	5	8.00	4.97	10.00	0.80
SS.MM4	M4x0.7	0.5-2.5	6	9.00	5.97	12.00	1.00
SS.MM5	M5x0.8	0.5-3.0	7	10.00	6.97	13.00	1.00
SS.MM6	M6x1.0	0.5-3.0	9	12.00	8.97	15.50	1.50
SS.MM8	M8x1.25	0.5-3.0	11	15.00	10.97	17.50	1.50
SS.MM10	M10x1.5	1.0-3.5	13	17.00	12.97	21.00	2.00



# CHANGING SUN

METAL CO.,LTD.

**MM**



## STEEL/CR3 ZINC PLATED

CLOSE END:MM-CL

Metric size in mm

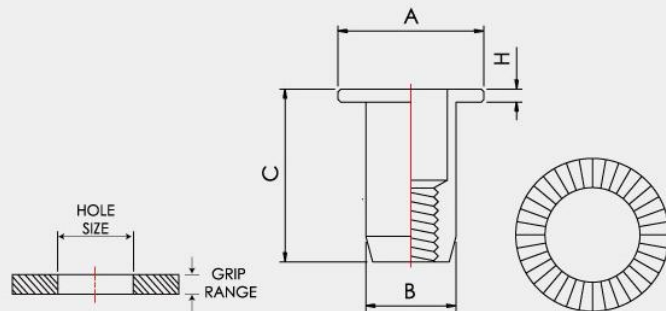
PART NO.	THREAD SIZE	GRIP RANGE	HOLE SIZE+0.1	A±0.3	B max	C±0.3	H±0.2
MM4-CL	M4x0.7	0.5-2.5	6	9.00	5.97	16.50	0.80
MM5-CL	M5x0.8	0.5-3.0	7	10.00	6.97	18.00	1.00
MM6-CL	M6x1.0	0.7-3.0	9	13.00	8.97	23.50	1.60
MM8-CL	M8x1.25	0.7-3.0	11	16.00	10.97	26.00	1.50

## STAINLESS STEEL (A2、302.304)、(A4、316)

CLOSE END:SS.MM-CL

Metric size in mm

PART NO.	THREAD SIZE	GRIP RANGE	HOLE SIZE+0.1	A±0.3	B max	C±0.3	H±0.2
SS.MM4-CL	M4x0.7	0.5-2.5	6	9.00	5.97	16.50	0.80
SS.MM5-CL	M5x0.8	0.5-3.0	7	10.00	6.97	19.00	1.00
SS.MM6-CL	M6x1.0	0.5-3.0	9	12.00	8.97	22.50	1.50
SS.MM8-CL	M8x1.25	0.7-3.5	11	15.00	10.97	25.00	1.50
SS.MM10-CL	M10x1.5	1.0-4.0	13	17.00	12.97	30.00	2.00



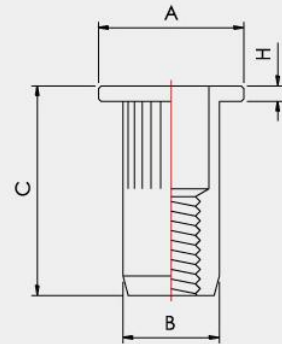
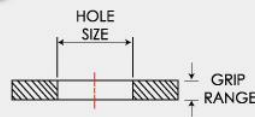
## ALUMINUM

OPEN END:A.MM

Metric size in mm

PART NO.	THREAD SIZE	GRIP RANGE	HOLE SIZE+0.1	A±0.3	B max	C±0.3	H±0.2
A.MM3	M3x0.5	0.5-2.0	5	8.00	4.97	9.50	0.70
A.MM4	M4x0.7	0.5-2.5	6	9.00	5.97	11.20	0.80
A.MM5	M5x0.8	0.5-3.0	7	10.00	6.97	12.80	1.00
A.MM6	M6x1.0	0.7-3.0	9	13.00	8.97	16.00	1.50
A.MM8	M8x1.25	0.7-3.0	11	15.00	10.97	18.00	1.50
A.MM10	M10x1.5	1.0-3.5	13	17.00	12.97	20.00	1.50

# CHANGING SUN METAL CO.,LTD.



## STEEL/CR3 ZINC PLATED

OPEN END:MF

Metric size in mm

PART NO.	THREAD SIZE	GRIP RANGE	HOLE SIZE+0.1	A±0.3	B max	C±0.3	H±0.2
MF3	M3x0.5	0.5-2.0	5	8.00	4.97	10.50	0.70
MF4	M4x0.7	0.5-2.5	6	9.00	5.97	11.00	0.80
		2.5-4.0				12.50	
MF5	M5x0.8	0.5-3.0	7	10.00	6.97	13.00	1.00
		3.0-4.5				14.50	
MF6	M6x1.0	0.7-3.0	9	13.00	8.97	16.50	1.50
		3.0-5.0				18.50	
		6.0-8.5				23.00	
MF8	M8x1.25	0.7-3.0	11	16.00	10.97	17.50	1.50
		3.0-5.5				21.00	
MF10	M10x1.5	1.0-4.5	13	19.00	12.97	24.00	2.00
		4.5-6.0				25.50	
MF12	M12x1.75	1.0-5.0	16	23.00	15.97	27.00	2.00

## STAINLESS STEEL (A2、302.304)、(A4、316)

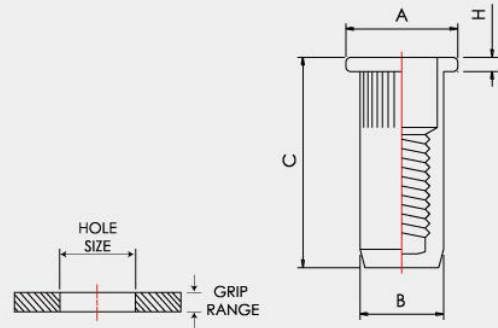
OPEN END:SS.MF

Metric size in mm

PART NO.	THREAD SIZE	GRIP RANGE	HOLE SIZE+0.1	A±0.3	B max	C±0.3	H±0.2
SS.MF3	M3x0.5	0.5-2.0	5	8.00	4.97	10.00	0.80
SS.MF4	M4x0.7	0.5-2.5	6	9.00	5.97	12.00	1.00
SS.MF5	M5x0.8	0.5-2.5	7	10.00	6.97	13.00	1.00
		1.5-3.5				14.00	
SS.MF6	M6x1.0	0.5-3.0	9	12.00	8.97	15.50	1.50
		1.5-3.5				16.00	
SS.MF8	M8x1.25	0.5-3.0	11	15.00	10.97	17.50	1.50
		1.8-5.0				20.00	
SS.MF10	M10x1.5	1.0-3.5	13	17.00	12.97	21.00	2.00
		1.8-5.0				25.00	

MF

# MF



### STEEL/CR3 ZINC PLATED

CLOSE END:MF-CL

Metric size in mm

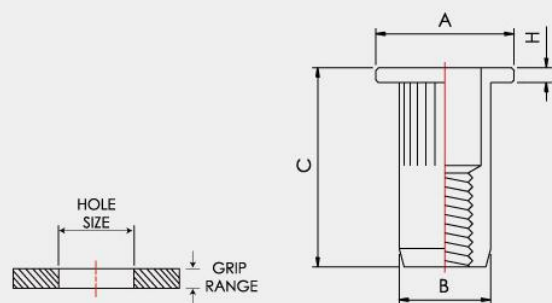
PART NO.	THREAD SIZE	GRIP RANGE	HOLE SIZE+0.1	A±0.3	B max	C±0.3	H±0.2
MF4-CL	M4x0.7	0.5-2.5	6	9.00	5.97	16.50	0.80
MF5-CL	M5x0.8	0.5-3.0	7	10.00	6.97	19.00	1.00
MF6-CL	M6x1.0	0.7-3.0	9	13.00	8.97	23.00	1.50
MF8-CL	M8x1.25	0.7-3.0	11	16.00	10.97	26.00	1.50
MF10-CL	M10x1.5	1.0-4.5	13	19.00	12.97	30.00	2.00

### STAINLESS STEEL (A2、302.304)、(A4、316)

CLOSE END:SS.MF-CL

Metric size in mm

PART NO.	THREAD SIZE	GRIP RANGE	HOLE SIZE+0.1	A±0.3	B max	C±0.3	H±0.2
SS.MF4-CL	M4x0.7	0.5-2.5	6	9.00	5.97	16.50	0.80
SS.MF5-CL	M5x0.8	0.5-3.0	7	10.00	6.97	19.00	1.00
SS.MF6-CL	M6x1.0	0.5-3.0	9	12.00	8.97	22.50	1.50
SS.MF8-CL	M8x1.25	0.7-3.0	11	15.00	10.97	25.00	1.50
SS.MF10-CL	M10x1.5	1.0-4.0	13	17.00	12.97	30.00	2.00



### ALUMINUM

OPEN END:A.MF

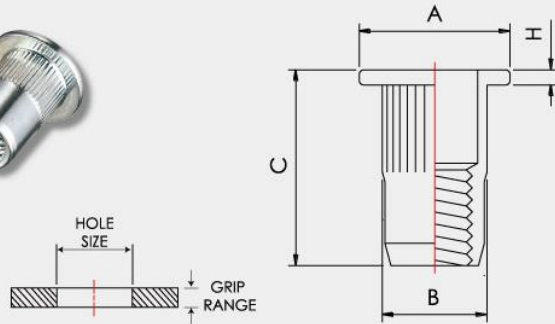
Metric size in mm

PART NO.	THREAD SIZE	GRIP RANGE	HOLE SIZE+0.1	A±0.3	B max	C±0.3	H±0.2
A.MF3	M3x0.5	0.5-2.0	5	8.00	4.97	10.50	0.70
A.MF4	M4x0.7	0.5-2.5	6	9.00	5.97	11.00	0.80
A.MF5	M5x0.8	0.5-3.0	7	10.00	6.97	13.00	1.00
A.MF6	M6x1.0	0.7-3.0	9	13.00	8.97	16.50	1.50

MF



**CHANGING SUN**  
METAL CO.,LTD.



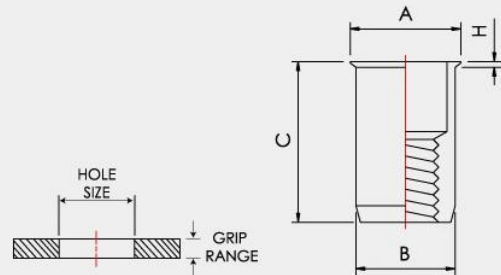
STEEL/CR3 ZINC PLATED

OPEN END:MF-E

Metric size in mm

PART NO.	THREAD SIZE	GRIP RANGE	HOLE SIZE+0.1	A±0.3	B max	C±0.3	H±0.2
MF3-E	M3x0.5	0.5-2.0	5	8.00	4.97	10.50	0.70
MF5-E	M5x0.8	0.5-3.0	7	10.00	6.97	13.00	1.00
MF6-E	M6x1.0	0.5-3.0	9	13.00	8.97	16.00	1.50
MF8-E	M8x1.25	0.5-3.0	11	16.00	10.97	17.50	1.50





## STEEL/CR3 ZINC PLATED

OPEN END:ME

Metric size in mm

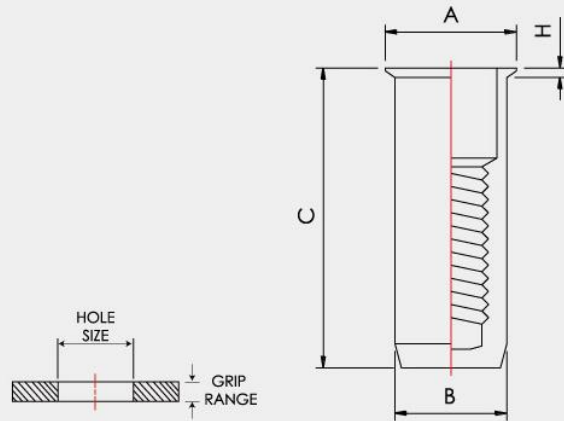
PART NO.	THREAD SIZE	GRIP RANGE	HOLE SIZE+0.1	A±0.3	B max	C±0.3	H±0.2
ME4	M4x0.7	0.5-2.0	6	6.90	5.97	10.00	0.45
ME5	M5x0.8	0.5-3.0	7	8.00	6.97	12.00	0.50
ME6	M6x1.0	0.5-3.0	9	10.00	8.97	15.00	0.50
ME8	M8x1.25	0.5-3.0	11	12.00	10.97	16.00	0.50
ME10	M10x1.5	1.0-4.0	13	14.10	12.97	20.50	0.70

## STAINLESS STEEL (A2、302.304)、(A4、316)

OPEN END:SS.ME

Metric size in mm

PART NO.	THREAD SIZE	GRIP RANGE	HOLE SIZE+0.1	A±0.3	B max	C±0.3	H±0.2
SS.ME3	M3x0.5	0.5-2.0	5	5.90	4.97	9.00	0.50
SS.ME4	M4x0.7	0.5-2.5	6	6.80	5.97	11.00	0.50
SS.ME5	M5x0.8	0.5-3.0	7	8.00	6.97	12.00	0.50
SS.ME6	M6x1.0	0.5-3.0	9	10.00	8.97	14.50	0.50
SS.ME8	M8x1.25	0.5-3.0	11	12.00	10.97	16.50	0.50
SS.ME10	M10x1.5	1.0-3.5	13	14.10	12.97	19.50	0.60

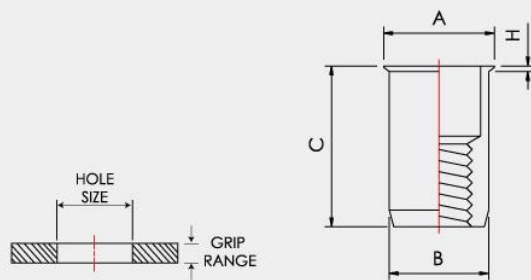


**STAINLESS STEEL (A2、302.304)、(A4、316)**

CLOSE END:SS.ME-CL

**Metric size in mm**

PART NO.	THREAD SIZE	GRIP RANGE	HOLE SIZE+0.1	A±0.3	B max	C±0.3	H±0.2
SS.ME4-CL	M4x0.7	0.5-2.0	6	7.00	5.97	16.00	0.50
SS.ME5-CL	M5x0.8	0.5-3.0	7	8.00	6.97	18.00	0.50
SS.ME6-CL	M6x1.0	0.5-3.0	9	10.00	8.97	21.00	0.50



**ALUMINUM**

OPEN END:A.ME

**Metric size in mm**

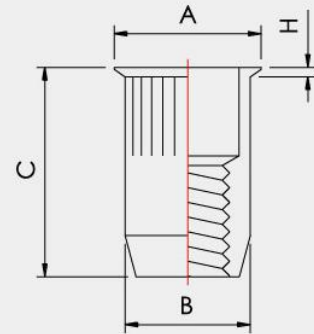
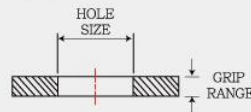
PART NO.	THREAD SIZE	GRIP RANGE	HOLE SIZE+0.1	A±0.3	B max	C±0.3	H±0.2
A.ME4	M4x0.7	0.5-2.0	6	7.00	5.97	10.00	0.50
A.ME5	M5x0.8	0.5-3.0	7	8.00	6.97	12.00	0.50
A.ME6	M6x1.0	0.5-3.0	9	10.00	8.97	15.00	0.50
A.ME8	M8x1.25	0.5-3.0	11	12.00	10.97	16.00	0.50





# CHANGING SUN

METAL CO.,LTD.



## STEEL/CR3 ZINC PLATED

OPEN END:MEF

Metric size in mm

PART NO.	THREAD SIZE	GRIP RANGE	HOLE SIZE+0.1	A±0.3	B max	C±0.3	H±0.2
ME3F	M3x0.5	0.5-2.0	5	5.80	4.97	9.00	0.50
		1.5-3.0		6.00		10.50	
ME4F	M4x0.7	0.5-2.0	6	7.00	5.97	9.95	0.45
		2.0-4.0			5.97	12.00	
ME5F	M5x0.8	0.5-3.0	7	8.00	6.97	12.00	0.50
		2.5-4.0				14.00	
ME6F	M6x1.0	0.7-3.0	9	10.00	8.97	15.00	0.50
		3.0-5.0				17.00	
		3.0-6.0				17.50	
ME8F	M8x1.25	0.7-3.0	11	12.00	10.97	16.00	0.50
		3.0-5.5				18.50	
ME10F	M10x1.5	1.0-4.5	13	14.10	12.97	20.50	0.60
		3.0-6.0				23.50	
ME12F	M12x1.75	1.0-4.0	16	17.15	15.97	24.00	0.60
		4.0-6.0				27.00	

MEF

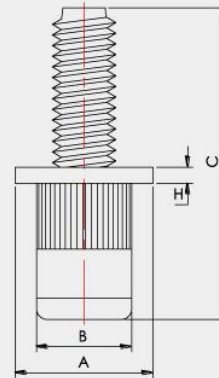
## STAINLESS STEEL (A2、302.304)、(A4、316)

OPEN END:SS.MEF

Metric size in mm

PART NO.	THREAD SIZE	GRIP RANGE	HOLE SIZE+0.1	A±0.3	B max	C±0.3	H±0.2
SS.ME3F	M3x0.5	0.5-2.0	5	5.90	4.97	9.00	0.50
SS.ME4F	M4x0.7	0.5-2.5	6	6.90	5.97	11.00	0.50
SS.ME5F	M5x0.8	0.5-3.0	7	8.00	6.97	12.00	0.50
SS.ME6F	M6x1.0	0.5-3.0	9	10.00	8.97	14.50	0.60
SS.ME8F	M8x1.25	1.0-3.5	11	12.00	10.97	16.00	0.60
SS.ME10F	M10x1.5	1.0-3.5	13	14.20	12.97	19.30	0.60

**CHANGING SUN**  
METAL CO.,LTD.



STEEL/CR3 ZINC PLATED

**Metric size in mm**

PART NO.	THREAD SIZE	GRIP RANGE	HOLE SIZE+0.1	A±0.3	B max	C±0.3	H±0.2
STUD M5-15	M5x0.8	0.5-3.0	7	10.00	6.97	27.00	1.00
STUD M6-15	M6x1.0	0.5-3.0	9	13.00	8.97	29.30	1.50
STUD M6-20						34.30	
STUD M6-25						39.30	
STUD M8-20	M8x1.25	0.7-3.0	11	16.00	10.97	35.50	1.50
STUD M8-25						40.50	

# CHANGING SUN

METAL CO.,LTD.

Changing Sun dedicated in marketplace has been earned by listening to our customers, and satisfying their needs. Due to so many customers required their own specification; we started to customize our products for different customers. In order to assist you in designing an customized part to work in your application, please fill out the following form and fax it to (886)4-7356289 or e-mail to chgsunall@chgsun.com.tw. We will review the data and have our sales engineers contact you to present our solution.

Name:	Company:
Phone Number:	Fax Number:
Address:	
Sketch Your Required Item:	
What type of material our part be installed into? Type: _____ Thickness & Tolerance: _____	What type and grade of fastener will be installed into our part and will it have a thread lock feature? THREAD LOCK TYPE _____ GRADE _____ YES <input type="checkbox"/> NO <input type="checkbox"/>
What thread size do you need? _____ How will your holes be produced? DRILL <input type="checkbox"/> PUNCHED <input type="checkbox"/> OTHER _____	What finish will you require on our part? TYPE _____ SPEC: _____
Will our part be before or after the finish is applied to your product? BEFORE <input type="checkbox"/> AFTER <input type="checkbox"/> TYPE _____	Does your application restrict the installation of our part in any way? YES <input type="checkbox"/> NO <input type="checkbox"/> PLEASE SKETCH ABOVE
What will be attached to our product and will it contact the head of our part? MATING PART _____ HEAD CONTACT YES <input type="checkbox"/> NO <input type="checkbox"/>	What will be your estimated annual usage and do you have a target price? EAU _____ PRICE _____